

T123PA-3V+G-1-275R

Three Phase T1/2/3 Lightning and surge arrester for LPL I and II



This range of lightning and surge arresters are configured in 3+1 and 1+1 (CT2 according to BS 7671), allowing for installation in TN-S, TN-C-S and TT earthing systems. This configuration is required for TT earthing systems where an RCD is not used, or the surge arrester is installed on the supply side of the RCD. These arresters are designed for use at the boundary of LPZ 0 to LPZ 1 in structures of LPL I and LPL II (Class I and II Lightning Protection System) as a Type 1 lightning arrester. They are also Type 2 and Type 3 tested for use in sub-distribution boards and local equipment protection.



Characteristics

Test class according to EN 61643-11	T1, T2, T3	
Earth type	TT; TN-S; TN-C-S	
Number of poles	4	
Nominal operating voltage, L to N	U_N	230V~
Maximum continuous operating voltage, L to N	U_C	275V~
Maximum continuous operating voltage, N to PE	U_C	255V~
Maximum discharge current, 8/20 μ s	I_{max}	50kA
Impulse discharge current, Class I, L to N, 10/350 μ s	I_{imp}	25kA
- Charge	Q	12.5As
- Specific energy	W/R	156kJ/ Ω
Impulse discharge current, Class I, N to PE, 10/350 μ s	I_{imp}	100kA
- Charge	Q	50As
- Specific energy	W/R	2500kJ/ Ω
Total discharge current, 10/350 μ s (L1+L2+L3+N to PE)	I_{total}	100kA
Total discharge current, 8/20 μ s (L1+L2+L3+N to PE)	I_{total}	150kA
Nominal discharge current, Class II, L to N, 8/20 μ s	I_n	25kA
Nominal discharge current, Class II, N to PE, 8/20 μ s	I_n	25kA
Open circuit voltage of combination wave generator	U_{oc}	6kV
Voltage protection level at I_n , L to N	U_p	<1.2kV
Voltage protection level at I_n , N to PE	U_p	<1.3kV
Temporary overvoltage, 5s, L to N	U_T	337V~
Temporary overvoltage, 120min, L to N	U_T	440V~
Temporary overvoltage, 0.2s, N to PE	U_T	1200V~
Response time, L to N	t_A	25ns

Characteristics

Response time, N to PE	t_A	100ns
Maximum backup fuse		250A gG/gL
Residual current	I_{PE}	$\leq 5\mu A$
Short-circuit current rating at max. backup fuse	I_{SCCR}	80kA rms
Lightning protection zone (LPZ)		0 to 3
Housing material		PA6, VL94-V0
Ingress Protection rating	IP	20
Operating temperature		-40 to +70°C
Operating Humidity		5 to 95%
Recommended cable size for T1, L and N		6 to 25mm ²
Recommended cable size for T1, PE		16 to 25mm ²
Recommended cable size for T2, L and N		2.5 to 25mm ²
Recommended cable size for T2, PE		6 to 25mm ²
Cable size range, Stranded		2.5 to 25mm ²
Cable size range, Solid		2.5 to 35mm ²
Torque for main terminals		3Nm
Mounting method		35mm DIN rail
Modular width		8
Mounting orientation		Any
Location		Indoor

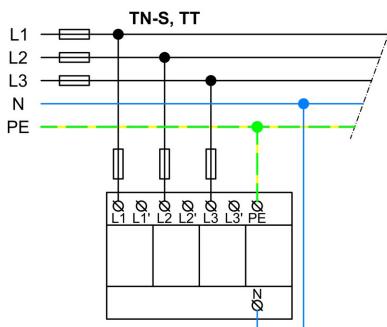
Status Indication

Local status indication
Remote status indication
Contact rating

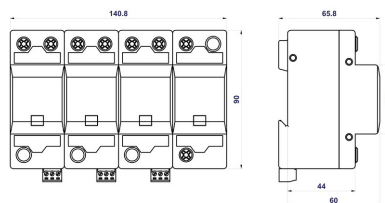
Mechanical Flag
Switching contacts
AC: 250V, 1.5A; DC: 250V, 0.1A

Parts and Accessories

Wiring Diagram



Dimensions (mm)



Internal Configuration

