

## LOADBANK 250 MCCB PANEL BOARD 800A FORM 3

### Main Features

- Meets the requirements of EN 61439-2
- ASTA certified busbars rated at 50kA for 1 second
- Form 3a as standard
- Supplied with top plate and two side plates as standard
- Ingress protection of IP3X or IP4X with optional door kit fitted
- Outgoing YA3/YB3 MCCBs and accessories are to be ordered separately.

### CATALOGUE NUMBERS

#### PANEL BOARDS

| Outgoing Triple Pole Ways | Modular Height | Panel Board Product Code | Door Kit Product Code |
|---------------------------|----------------|--------------------------|-----------------------|
| 6                         | 4              | LB806YA3                 | LBDD06                |
| 12                        | 6              | LB812YA3                 | LBDD12                |
| 18                        | 8              | LB818YA3                 | LBDD18                |

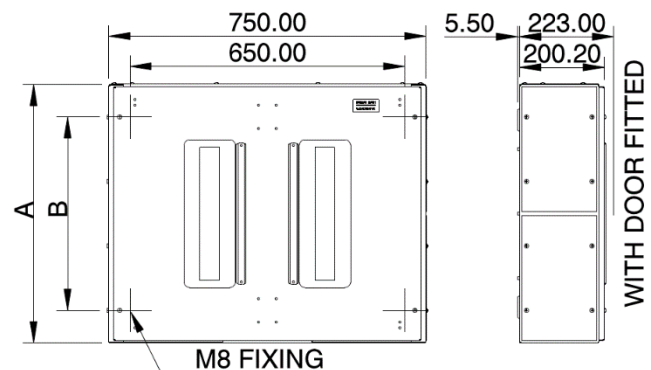
#### PANEL BOARD ACCESSORIES

| Description  | Product Code |
|--|--------------|
| 3 pole blanking plate                                | LBBP3PYA3    |
| Spare End Plate                                      | LGES         |
| Cylinder Door Lock                                   | DBXCL        |
| Padlocking Door Kit                                  | DBXPL        |
| Panel board stacking kit                             | LBCK8        |
| Busbar extension terminals for top entry panelboards | LBSKE        |
| Connections to horizontal busbars in Modis 12 Ultra  | MCLB800      |



### Technical data

|   |  |
|---|--|
| Enclosure mounting                      | Surface  |
| Busbar Current Rating                   | 800A   |
| Busbar short circuit rating (Icw)       | 50kA for 1 second  |
| Rated voltage (Un)                      | 415Vac   |
| Rated operational Voltage (Ue)          | 415Vac   |
| Rated insulation Voltage (Ui)           | 500Vac   |
| Rated impulse withstand voltage (Uimp): | 6kV  |
| External IP Rating                      | IP3X as standard, IP4X with optional doors fitted  |
| Internal form of segregation            | Form 3a, IP2X  |
| Construction Outer                      | Painted 1.2/1.6mm (min) thick zinc plated sheet steel.   |
| Construction Inner                      | Painted 1.2mm (min) thick zinc plated sheet steel and 1.2mm thick aluminium-zinc coated sheet steel. |
| Internal segregation materials          | Aluminium-zinc coated sheet steel and rigid polycarbonate barriers                                   |
| Busbar /connection material             | High conductivity copper   |
| Busbar support material                 | Flame retardant, glass filled Nylon  |
| Paint                                   | Polyester powder coat, low smoke/fume, depth 40/120 microns colour RAL7035                           |



| Cat. No. | Height A (mm) | Fixings B (mm) | Weight (kg) |
|----------|---------------|----------------|-------------|
| LB806YA3 | 609           | 457            | 42          |
| LB812YA3 | 914           | 762            | 62          |
| LB818YA3 | 1219          | 1066           | 78          |