

## LOADBANK 250 ELECTRONIC MCCB PANEL BOARD 400A

### Main Features

- Meets the requirements of EN 61439-2
- ASTA certified busbars rated at 36kA for 1 second
- Form 3a as standard
- Can accommodate both thermal magnetic and electronic YA3S devices
- Supplied with top plate and two side plates as standard
- Ingress protection of IP3X or IP4X with optional door kit fitted
- Outgoing YA3/YB3 MCCBs and accessories are to be ordered separately.

### CATALOGUE NUMBERS

#### PANEL BOARDS

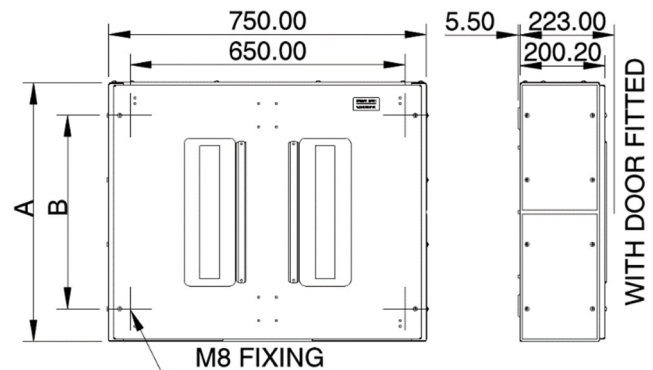
Outgoing Triple Pole Ways	Modular Height	Panel Board Product Code	Door Kit Product Code
6	4	LB406YA3E	LBDD06
12	6	LB412YA3E	LBDD12
18	8	LB418YA3E	LBDD18

#### PANEL BOARD ACCESSORIES

Description	Product Code
3 pole blanking plate	LBBP3PYA3
Spare End Plate	LGES
Cylinder Door Lock	DBXCL
Padlocking Door Kit	DBXPL
Panel board stacking kit	LBCK4
Busbar extension terminals for top entry panelboards	LBSKE
Connections to horizontal busbars in Modis 12 Ultra	MCLB400

### Technical data

Enclosure mounting	Surface
Busbar Current Rating	400A
Busbar short circuit rating (Icw)	36kA for 1 second
Rated voltage (Un)	415Vac
Rated operational Voltage (Ue)	415Vac
Rated insulation Voltage (Ui)	500Vac
Rated impulse withstand voltage	(Uimp): 6kV
External IP Rating	IP3X as standard, IP4X with optional doors fitted
Internal form of segregation	Form 3a, IP2X
Construction Outer	Painted 1.2/1.6mm (min) thick zinc plated sheet steel.
Construction Inner	Painted 1.2mm (min) thick zinc plated sheet steel and 1.2mm thick aluminium-zinc coated sheet steel.
Internal segregation materials	Aluminium-zinc coated sheet steel and rigid polycarbonate barriers
Busbar /connection material	High conductivity copper
Busbar support material	Flame retardant, glass filled Nylon
Paint	Polyester powder coat, low smoke/fume, depth 40/120 microns colour RAL7035



Cat. No.	Height A (mm)	Fixings B (mm)	Weight (kg)
LB406YA3E	609	457	36
LB412YA3E	914	762	52
LB418YA3E	1219	1066	66