

LOADLIMITER 63 TYPE AC RCCB

Main Features

- Exceeds the requirements of EN 61008
- 230V and 400V rated
- Frequency 50 / 60Hz
- Type AC
- Double-pole width is 35mm and Four-pole width is 70mm
- 100A Time delay versions available
- Maximum cable termination for 40A to 63A is 25mm² and 100A is 35mm²
- Maximum terminal torque 2.5Nm

CATALOGUE NUMBERS

Current Rating (A)	Sensitivity (mA)	Product Code
Double-pole RCCBs		
40	30	EE40/30/2
40	100	EE40/100/2
63	30	EE63/30/2
63	100	EE63/100/2
100	30	EE100/30/2
100	100	EE100/100/2
100 Time delay	100	EES100/100/2

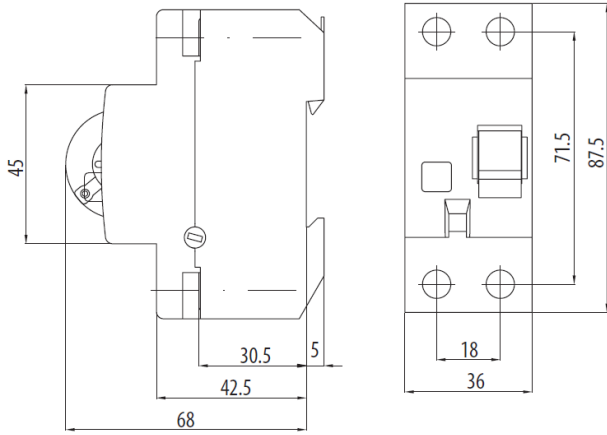
Four-pole RCCBs		
40	30	EE40/30/4
40	100	EE40/100/4
63	30	EE63/30/4
63	100	EE63/100/4
63	300	EE63/300/4
100	30	EE100/30/4
100	100	EE100/100/4
100	300	EE100/300/4
100 Time delay	100	EES100/100/4



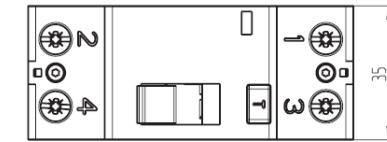
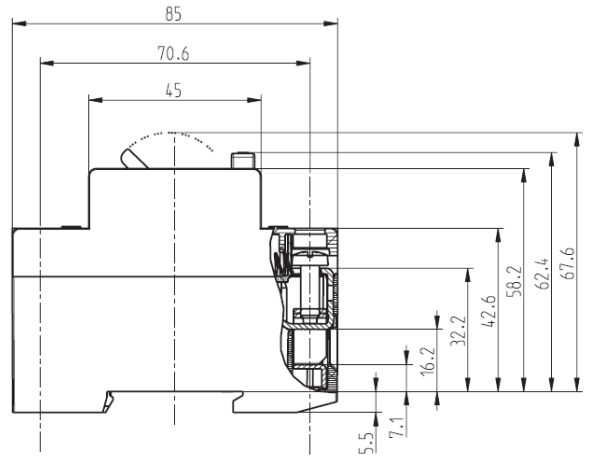
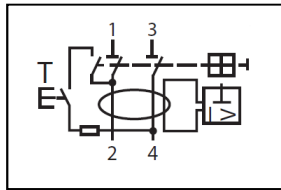
Technical data

Rated voltage	2P - 230/240V AC; 4p - 400/415V AC
Rated insulation voltage	440V
Rated frequency	50/60Hz
Rated short-circuit capacity	10kA
Back-up fuse	100A gG
Mech endurance	>4000
Elec endurance	>2000
Degree of protection	IP20
Operating temperature	-25°C ... +55°C
Storage temperature	-40°C ... +70°C
Resistance to vibrations acc. to IEC 60068-2-7	5g (10,60 & 500Hz)

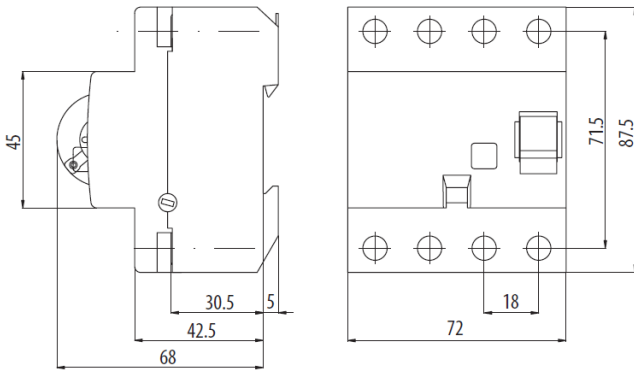
LOADLIMITER 63 TYPE AC RCCB



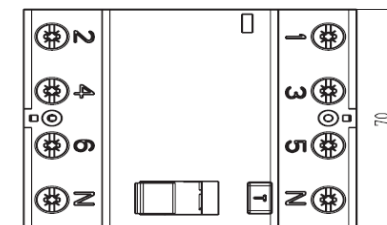
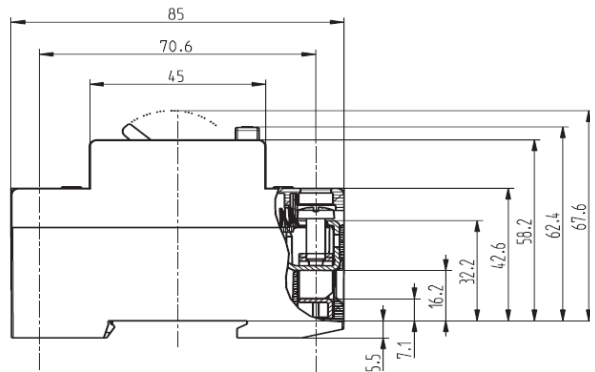
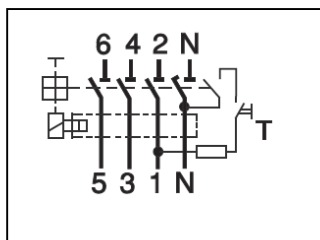
40-80A Double Pole



100A Double Pole



40-80A 4 pole



100A 4 Pole