

# Installation instructions

## Loadswitch Auxiliary Switches

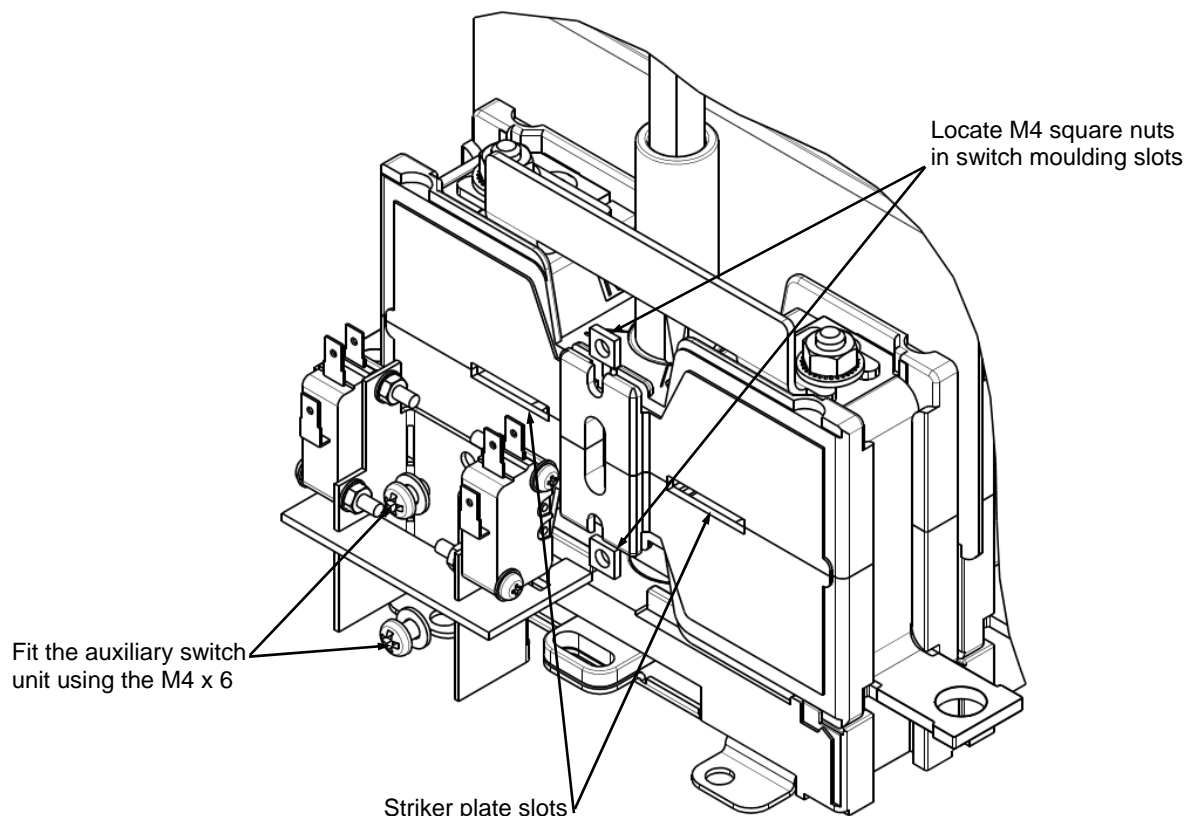


INSPECTION ON RECEIPT The following parts are supplied with the auxiliary switch unit:-  
1 x 2 bank auxiliary switch assembly  
2 x M4 x 6 screw, square nuts and shakeproof washers

Installation and operation must be in accordance with published data, instructions and diagrams and any relevant national and local regulations  
Storage prior to installation must be in clean dry conditions.

**NOTE: ENSURE THE HANDLE SHAFT IS FITTED AND SECURED BEFORE FITTING THE AUXILIARY SWITCH**

1. Ensure the fuse combination switch is isolated from the supply.
2. Remove the fuse combination switch from the enclosure, if required.
3. Ensure the handle shaft is in fitted and secured before fitting the auxiliary switch.
4. Insert the M4 square nuts into the recesses in the fuse combination switch as shown below.
5. Attach the auxiliary switch using the M4 x 6 screws and washers, ensuring that the auxiliary striker plate locates inside the striker plate slots on the side of the fuse combination switch.
6. Wire up the auxiliary switch connections using 187 series fully insulated push-on female connectors (microswitch terminals are quick connect 4.8mm wide x 0.5mm thick)
7. Re-fit the fuse combination switch into the enclosure, if required..
8. Test the auxiliary switch for correct operation.



While Dorman Smith Switchgear and its affiliates referenced herein have made every reasonable effort to ensure the accuracy of the information contained in this catalogue, Dorman Smith Switchgear cannot assure that this information is error free. For this reason, Dorman Smith Switchgear does not make any representation or offer any guarantee that such information is accurate, correct, reliable or current. Dorman Smith Switchgear reserves the right to make any adjustments to the information at any time. Dorman Smith Switchgear expressly disclaims any implied warranty regarding the information contained herein, including, but not limited to, the implied warranties of merchantability or fitness for a particular purpose. Dorman Smith Switchgear only obligations are those stated in Dorman Smith Switchgear Standard Terms and Conditions of Sale. Dorman Smith Switchgear will in no case be liable for any incidental, indirect or consequential damages arising from or in connection with, including, but not limited to, the sale, resale, use or misuse of its products. Users should rely on their own judgement to evaluate the suitability of a product for a certain purpose and test each product for its intended application. Dorman Smith is a trademark.