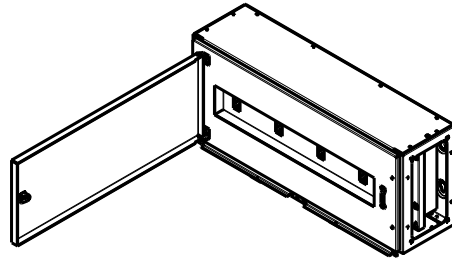
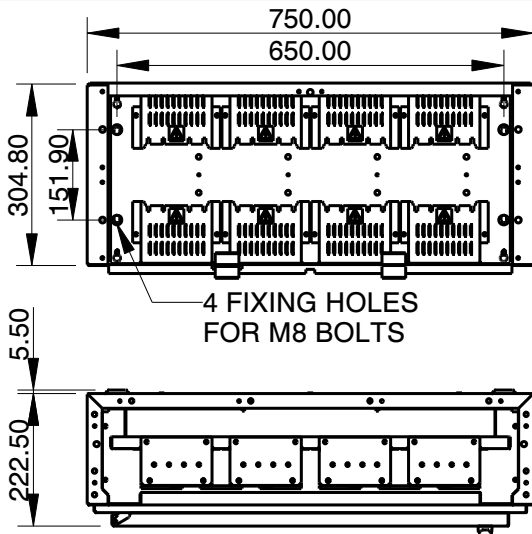
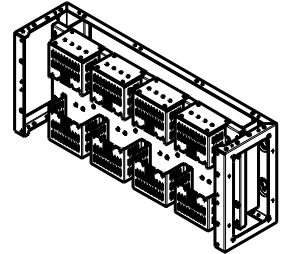


**HOUSING FOR 4 X YB1 MCCBS**
**FITTING INSTRUCTIONS**

SHEET 1 OF 2

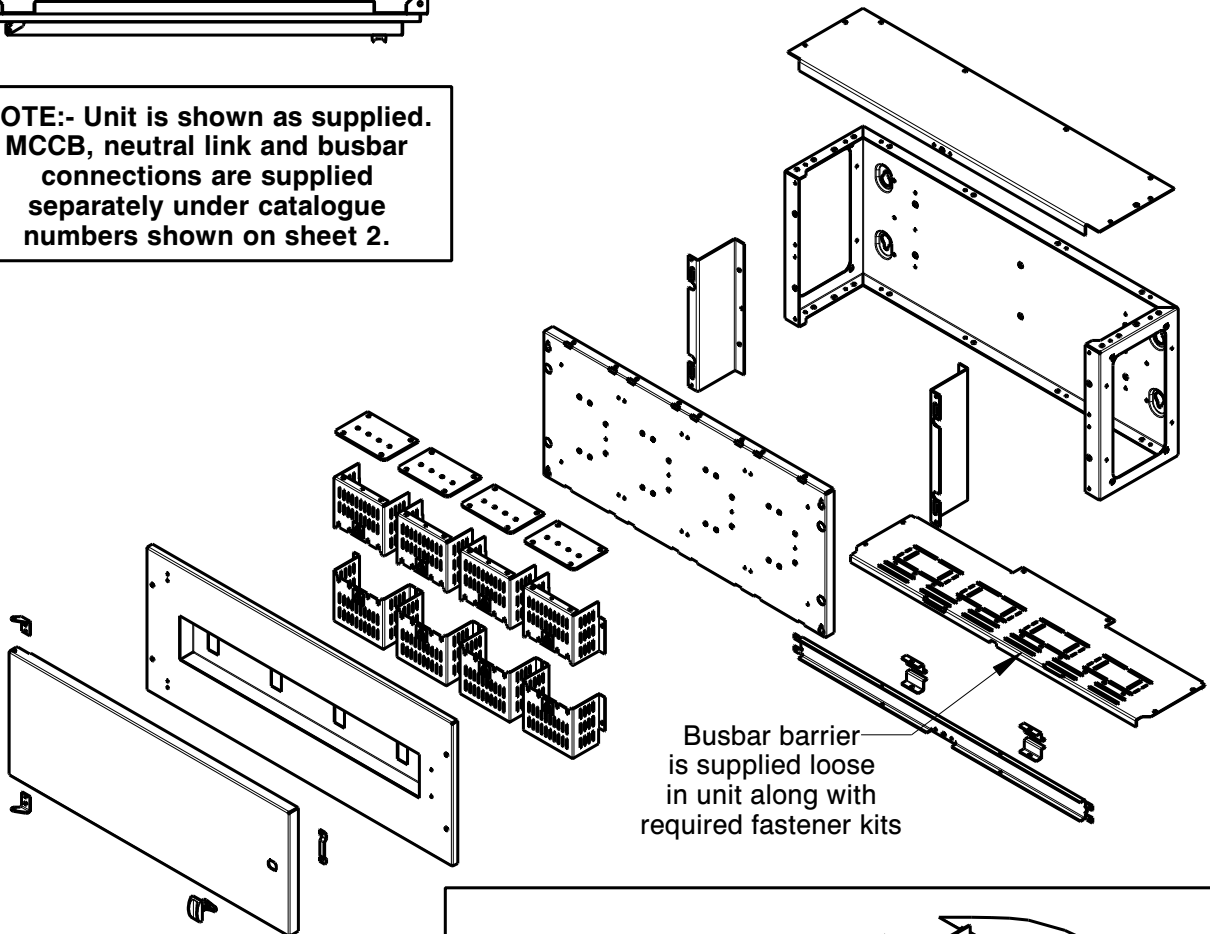


Unit with front door open

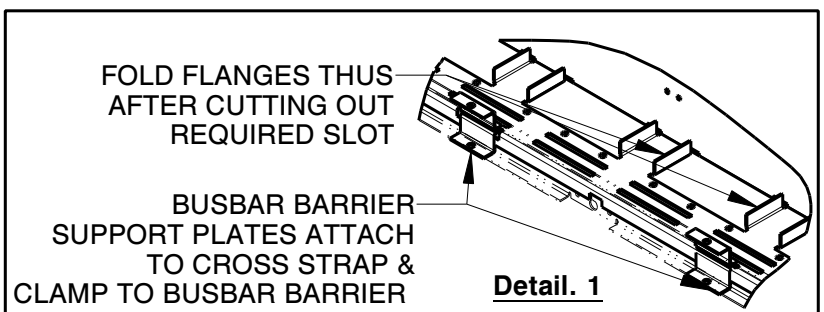


Front plates removed for clarity

**NOTE:-** Unit is shown as supplied. MCCB, neutral link and busbar connections are supplied separately under catalogue numbers shown on sheet 2.



Busbar barrier is supplied loose in unit along with required fastener kits

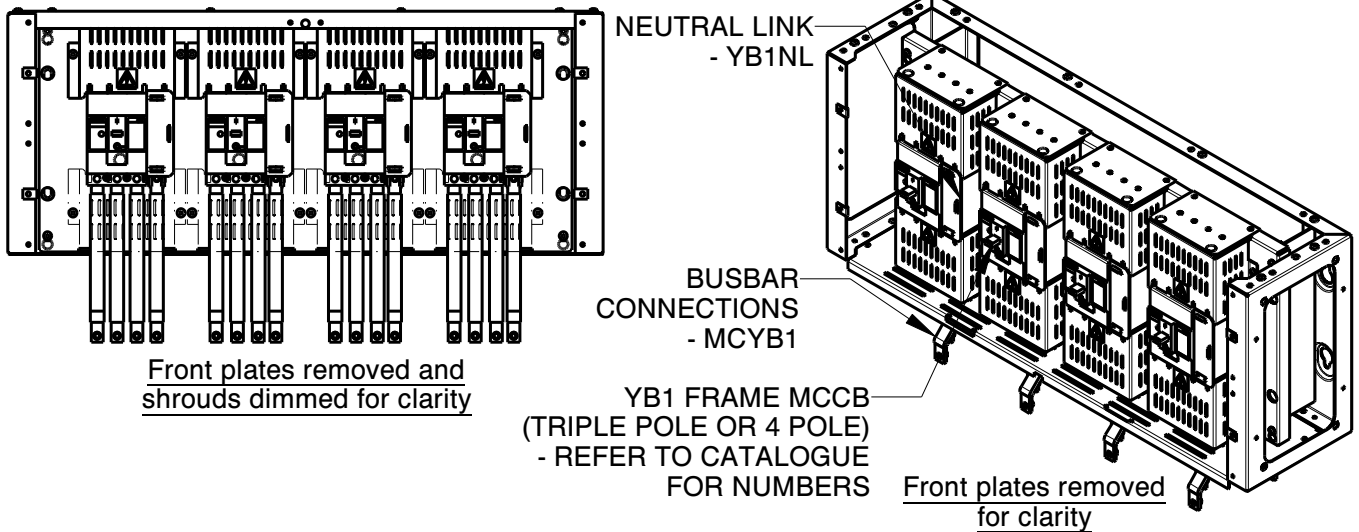

**TESTING AND COMMISSIONING**

Before the unit and the installation of which it forms a part are commissioned they must be tested, in accordance with the requirements of the latest edition of the Requirements for Electrical Installations.

Installation and operation must be in accordance with published data, instructions and diagrams and any relevant national and local regulations

**HOUSING FOR 4 X YB1 MCCBS**
**FITTING INSTRUCTIONS**

SHEET 2 OF 2


**FITTING MCCB AND CONNECTIONS**

**NOTE:** Enclosure can be mounted above or below the horizontal busbars. Always mount with the neutral link fixing holes to the right of the MCCBs as shown above

- 1) Remove all front/end plates and MCCB mounting plate and fix the unit to the wall using suitable bolts (not supplied).
- 2) Cut out the required slots in the clear plastic busbar barrier and bend up the flanges at either end in the opposite direction to the flange already formed (see detail 1 overleaf).
- 3) Bolt the unit to the horizontal busbar housing using the M6 x 16 bolts and washers supplied in the cross strap fastener kit omitting the two fasteners in the middle of the rear flange.
- 4) Fit the horizontal busbar barrier between the unit and the busbars by bolting the barrier to the busbar box flange at the sides and rear using the M5 x 12 bolts, nuts and washers supplied in the horizontal busbar barrier fix kit. Ensure the small flanges formed in 2) protrude away from the busbars.
- 5) Refit the MCCB mounting plate.
- 6) Remove top and bottom shrouds and mount the desired quantity of YB1 frame MCCBs to the mounting plate using the screws supplied with the MCCBs. Refer to instructions supplied with MCCB for torque figures, setting details and additional information concerning the MCCB.
- 7) If required mount the neutral link to the right of the MCCB with the self tapping screws supplied with the neutral link kit.
- 8) Fit the connections through the slot in the busbar barrier between the MCCB and the busbars. Instructions are supplied with the kit.
- 9) Install incoming cables using appropriate cable glands and sockets. To avoid swarf and other foreign objects entering the enclosure always remove gland plates to cut cable / trunking entries.
- 10) Check the tightness of all connections and refit top and bottom shrouds.
- 11) Attach busbar barrier support plates loosely to cross strap with self tapping screws and refit cross strap to enclosure with support plate on either side of busbar barrier. Tighten screws to clamp barrier plate (see detail 1 overleaf). Barrier may also be fixed directly to shrouds using self tapping screws if required.
- 12) Use the earth kit required to attach earth connection to either end of unit as required.
- 13) Refit front plates. **NOTE:** Before fitting the front cover check the tightness of connections and ensure that all shrouds are correctly located and secured in place.
- 14) Any unused ways in front plate can be blanked off using blank plates supplied.

**RECOMMENDED TORQUE FIGURES (unless otherwise stated)**

SIZE	M5	M6	M8	M10	M12	M16
TORQUE Nm	5.5	9.5	17	28	45	91