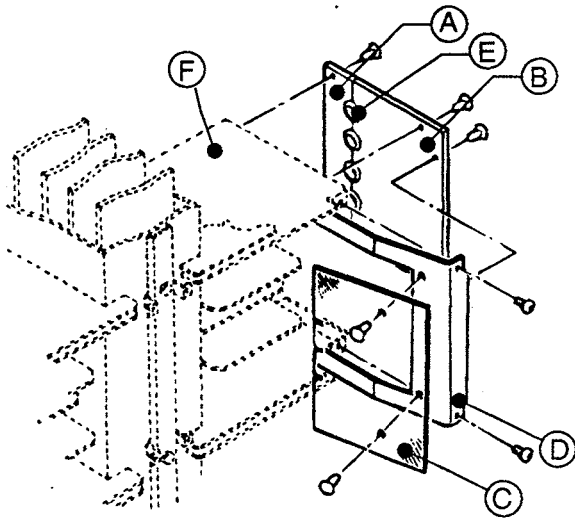


LFS41A

Assembly/Installation instructions

LFS42A

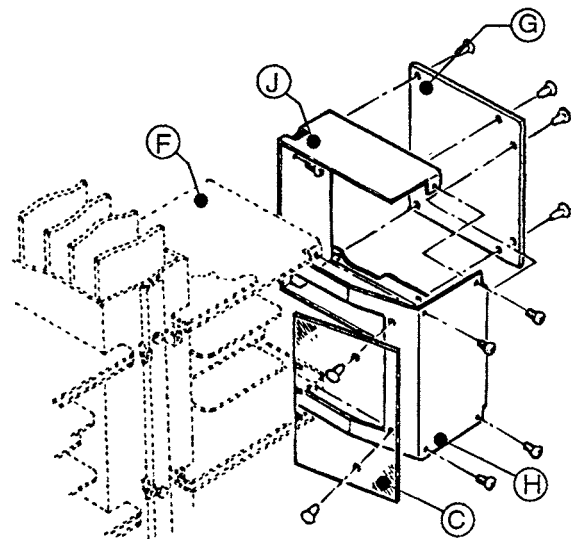


For use with cable sockets up to 70mm² (nominal)
Max. width of socket, 22mm and 8mm from the
centre of fixing hole to the outer circumference of
the lug.

- 1 Prior to connecting the cables to the switch, fit a grommet (E) to each cable.
- 2 On completion of cabling check tightness of all terminal screws. M6 screw 9NM.
- 3 Fit shroud (D), locate the bottom of the shroud in slots in compartment tray (F) and secure using the M5 self-tapping screws provided.
- 4 Fit terminal cover (C) using the push on fasteners provided.
- 5 Fit bottom end plate (A) and locate the grommets in the cut outs.
- 6 Locate the top end plate (B) about the grommets and secure in position using the push on fasteners provided.

key to component parts

- A Slotted insul. sheet: rear/small "End Plate"
B Slotted insul. sheet: front/large "End Plate"
C Clear Makralon sheet "Terminal Cover"
D Formed Aluzinc barrier "Shroud"
E Grommets, semi blind: 4 off
F Formed Aluzinc tray "Compartment tray"



For use with cable sockets up to 150mm².

- 1 Prior to cabling fit extension base plate (J).
- 2 On completion of cabling check tightness of all terminal screws. M6 screw 9NM.
- 3 Fit shroud (H), locate the bottom of the shroud in slots in compartment tray (F) and secure using the M5 self-tapping screws provided.
- 4 Fit terminal cover (C) using the push on fasteners provided.
- 5 Cut out the necessary apertures for the cables in end plate (G) and fit as shown using the push on fasteners provided.

key to component parts

- C Clear Makralon sheet "Terminal Cover"
F Formed Aluzinc tray "Compartment tray"
G Insul. sheet "End Plate"
H Formed Aluzinc extended barrier "Shroud"
J Formed Aluzinc tray "Extension Base Plate"

This equipment must be installed in accordance with the requirements of all relevant legislation, regulations (including the latest edition of the IEE wiring regulations) and the accepted practice in the industry.

N9003251

Tel:

0870 8707500