



DORMAN
SMITH

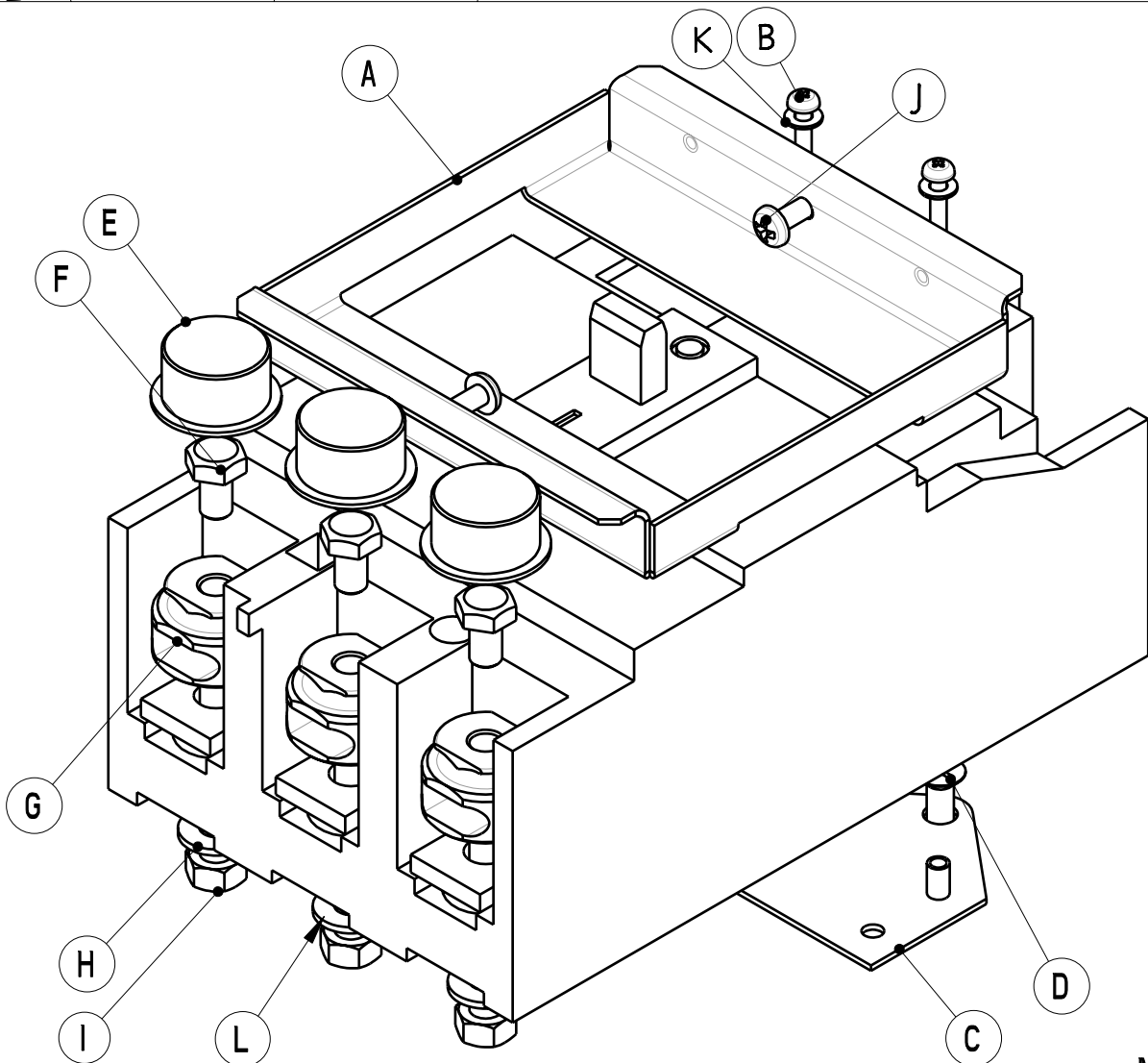
YAA3PLB & YAA1PLB

YA3 MCCB ADAPTOR KIT FOR AA FRAME LOADBANK

COMPONENT CHECK LIST

SHEET 1 OF 2

ITEM	QTY (3P)	QTY (1P)	DESCRIPTION
A	1	1	ESCUTCHEON ADAPTOR
B	2	1	M3 x 45 FIXING SCREW (M3 X 55)
C	1	1	FIXING PLATE
D	1	1	M5 x 12 FIXING PLATE SCREW
E	3	1	TERMINAL INSULATOR
F	3	1	M6 x 10 TERMINAL SCREW
G	3	1	TERMINAL ADAPTOR
H	3	1	M6 SHK PROOF WASHER
I	3	1	M6 FULL NUT
J	2	2	M4 x 8 FIXING SCREW
K	2	1	M3 SPRING WASHER
L	O	1	M8 SPRING WASHER



N9124A

DRG

M214275

REV

1

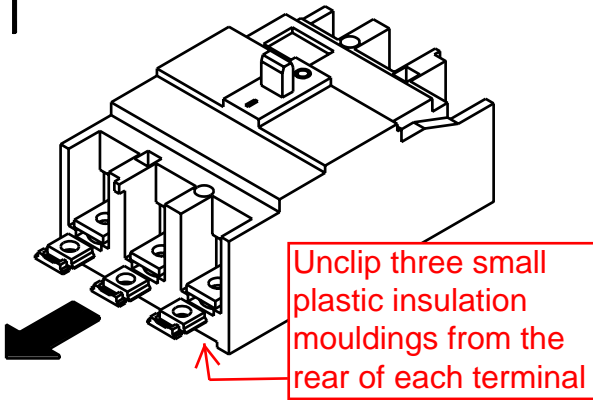


YA3 MCCB ADAPTOR KIT FOR AA FRAME LOADBANK

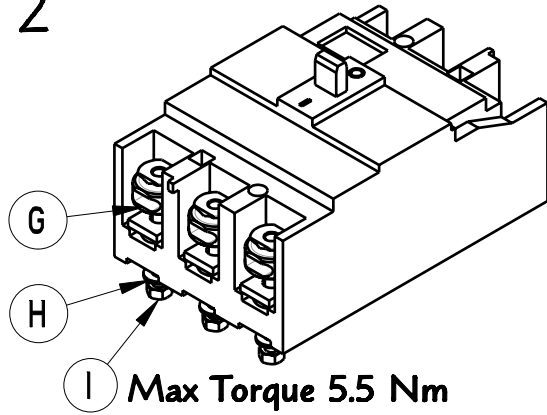
ASSEMBLY SEQUENCE

SHEET 2 OF 2

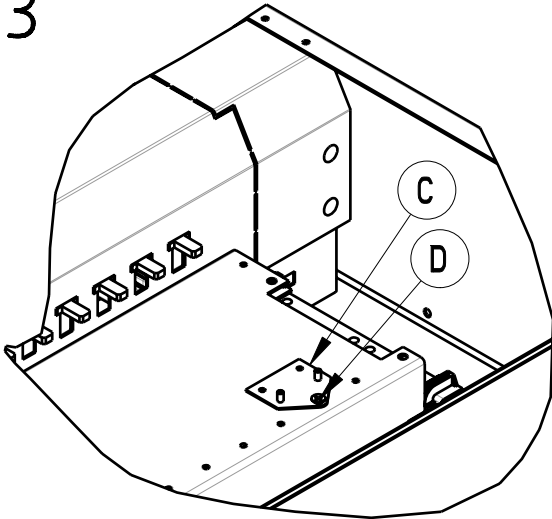
1



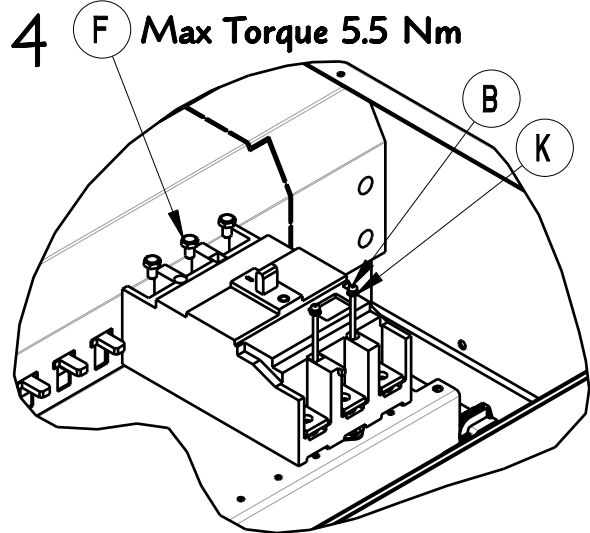
2



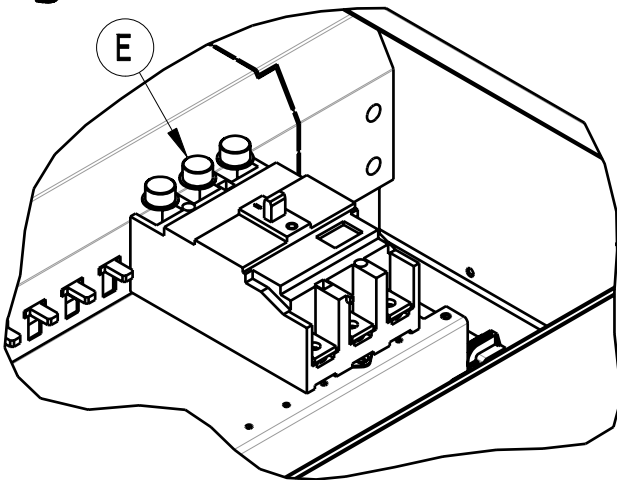
3



4



5



6

