

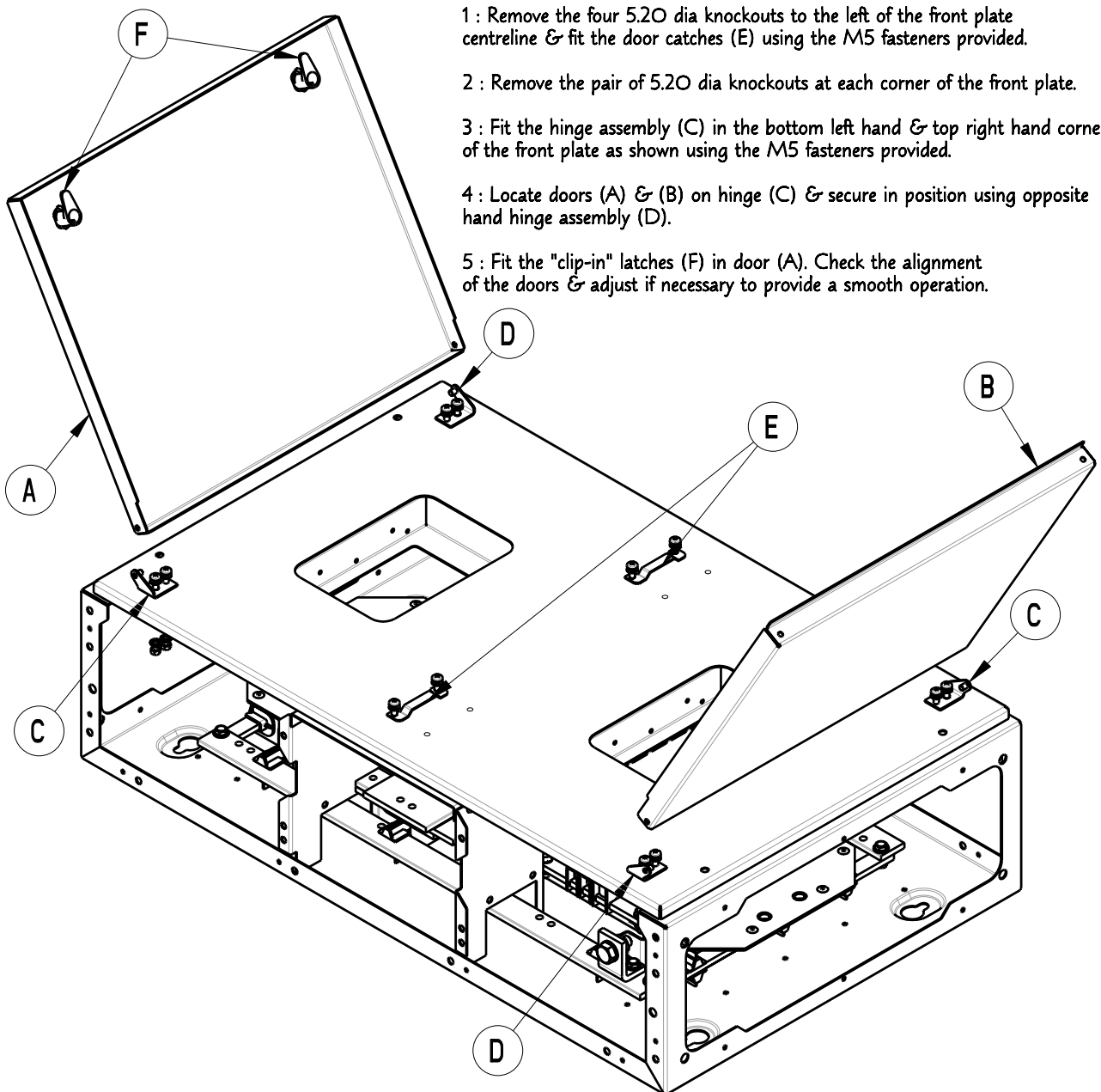
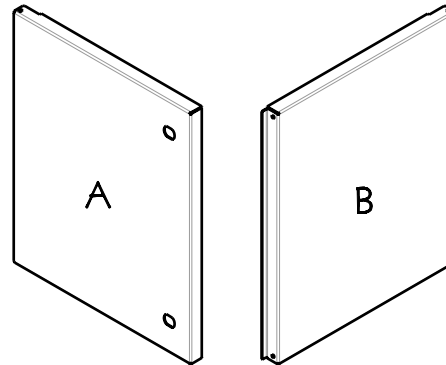
**LOADBANK PANELBOARD DOOR KITS**

**FITTING INSTRUCTION**

SHEET 1 OF 1

The following items are supplied with each kit :

- A : 1 x Left Hand Door
- B : 1 x Right Hand Door
- C : 2 x LH Hinge assembly
- D : 2 x RH Hinge assembly
- E : 2 x Door Catch
- F : 2 x Door Latch moulding
- Plus 12 x M5 Fasteners



1 : Remove the four 5.20 dia knockouts to the left of the front plate centreline & fit the door catches (E) using the M5 fasteners provided.

2 : Remove the pair of 5.20 dia knockouts at each corner of the front plate.

3 : Fit the hinge assembly (C) in the bottom left hand & top right hand corner of the front plate as shown using the M5 fasteners provided.

4 : Locate doors (A) & (B) on hinge (C) & secure in position using opposite hand hinge assembly (D).

5 : Fit the "clip-in" latches (F) in door (A). Check the alignment of the doors & adjust if necessary to provide a smooth operation.

Installation and operation must be in accordance with published data, instructions and diagrams and any relevant national and local regulations

N9003055