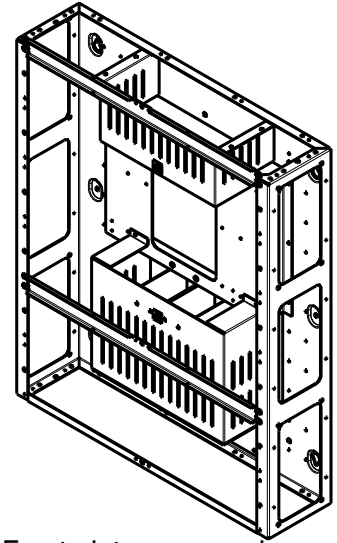
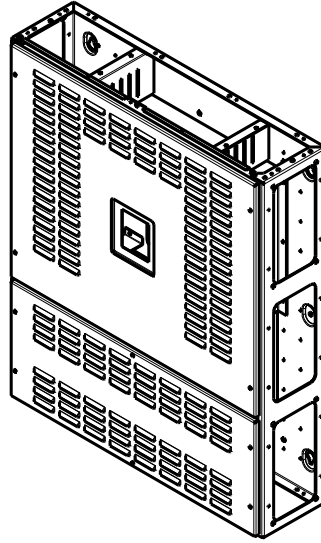
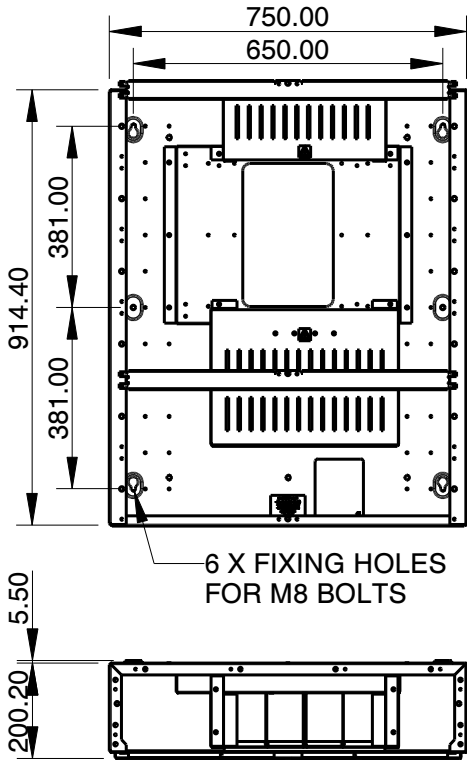


YA7 MCCB FORM 4 INCOMER HOUSING

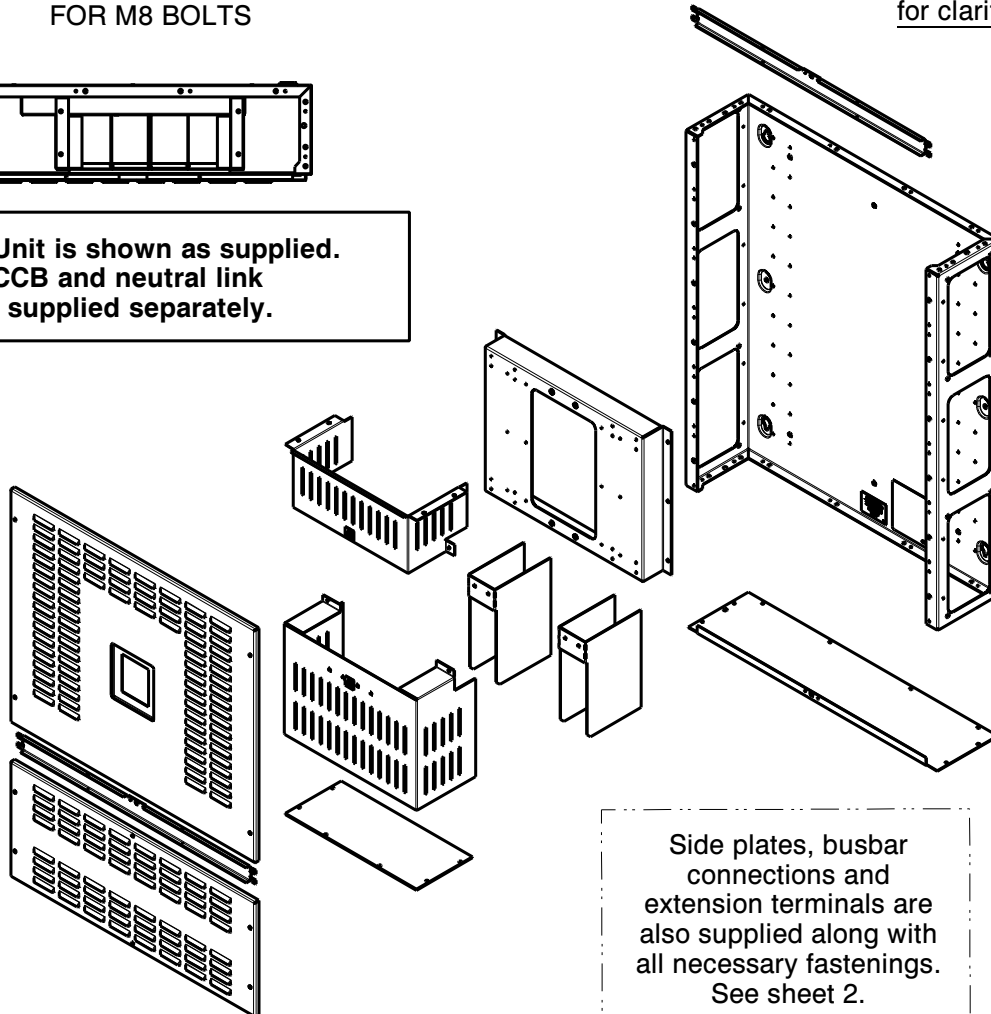
FITTING INSTRUCTIONS

SHEET 1 OF 2



Front plates removed for clarity

NOTE:- Unit is shown as supplied. MCCB and neutral link are supplied separately.



Side plates, busbar connections and extension terminals are also supplied along with all necessary fastenings. See sheet 2.

TESTING AND COMMISSIONING

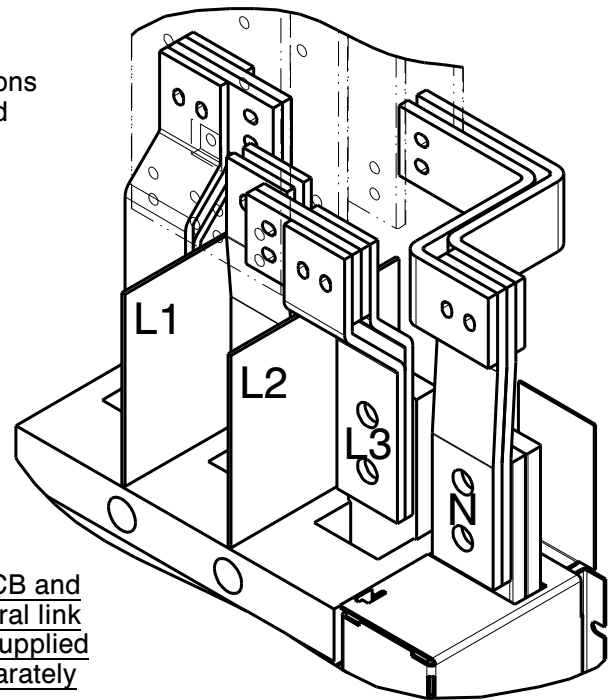
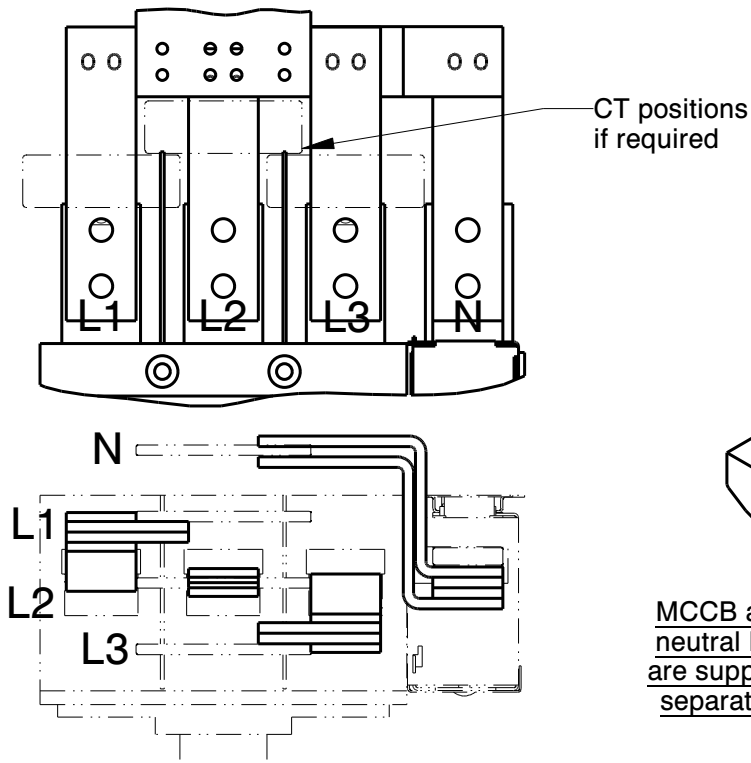
Before the unit and the installation of which it forms a part are commissioned they must be tested, in accordance with the requirements of the latest edition of the Requirements for Electrical Installations.

Installation and operation must be in accordance with published data, instructions and diagrams and any relevant national and local regulations

YA7 MCCB FORM 4 INCOMER HOUSING

FITTING INSTRUCTIONS

SHEET 2 OF 2



MCCB and
neutral link
are supplied
separately

FITTING MCCB AND CONNECTIONS

NOTE: When mounted above the panel board, for top cable access, turn the unit upside down so that the MCCB mounting plate is closest to the busbars. Front plates can be refitted in their original orientation ie with louvres opening downwards.

- 1) Remove all front/end plates and fix the unit to the wall using suitable bolts (not supplied).
- 2) Bolt the unit to the horizontal busbar housing using the M6 x 16 bolts and washers supplied in the cross strap fastener kit.
- 3) Remove top and bottom shrouds and mount the YA7 frame MCCB to the mounting plate using the screws supplied with the MCCB. Refer to instructions supplied with MCCB for torque figures, setting details and additional information concerning the MCCB.
- 4) If required mount the neutral link to the right of the MCCB with the self tapping screws supplied with the neutral link kit.
- 5) Fit the connections between the MCCB and busbars as shown above.
- 6) Fit the interphase barriers supplied with the MCCB to the top of the MCCB.
- 7) Fit the extension terminal kit supplied to the incoming terminals of the MCCB.
- 8) Install incoming cables using appropriate cable glands and sockets. To avoid swarf and other foreign objects entering the enclosure always remove gland plates to cut cable / trunking entries.
- 9) Check the tightness of all connections.
- 10) Cut the black foam sheet on the end of the panel board shroud to allow connections to pass through.
- 11) Refit top and bottom shrouds ensuring interphase barriers fixed to the incoming shroud are in between the phases of the incoming supply.
- 12) Use the earth kit required to attach earth connection to either end of unit as required.
- 13) Refit cross straps and front plates. NOTE: Before fitting the front cover check the tightness of connections and ensure that all shrouds are correctly located and secured in place.

RECOMMENDED TORQUE FIGURES (unless otherwise stated)

SIZE	M5	M6	M8	M10	M12	M16
TORQUE Nm	5.5	9.5	17	28	45	91