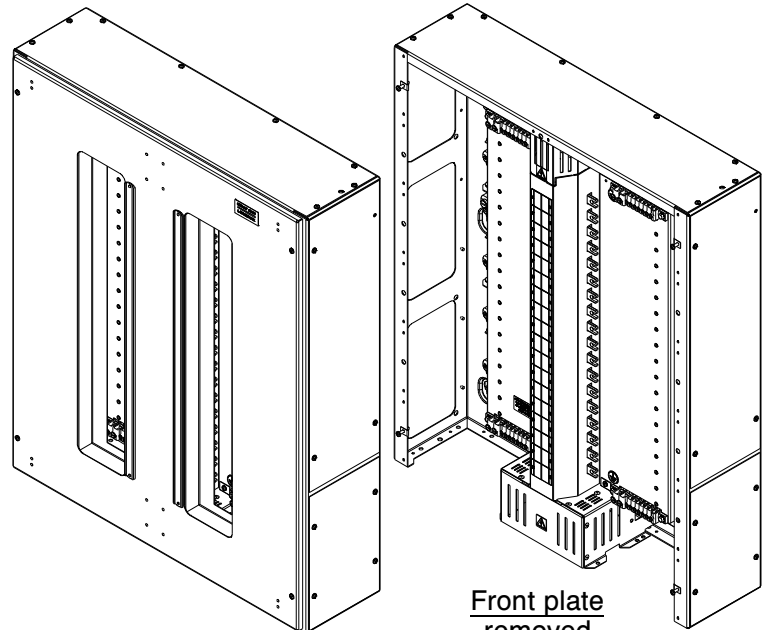
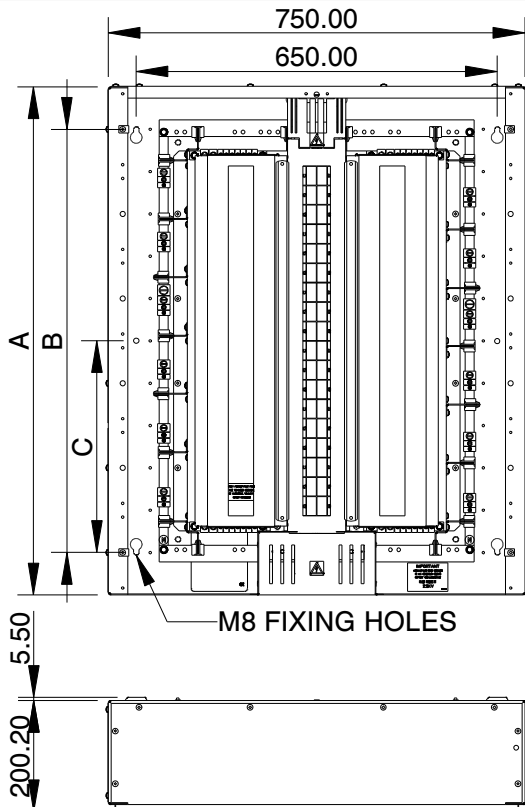
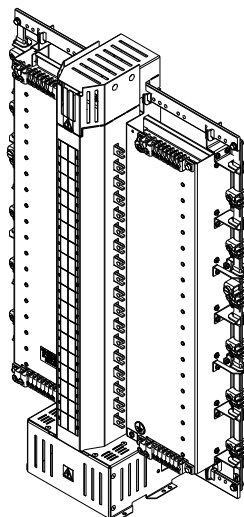
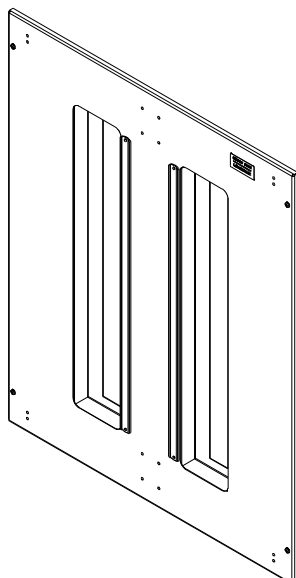
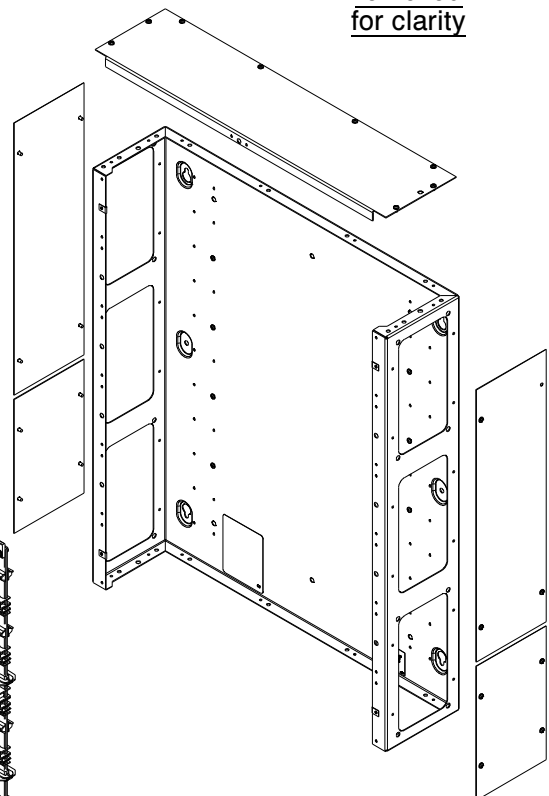


800A FORM 3a YA3/YB3 MCCB PANELBOARD
FITTING INSTRUCTIONS

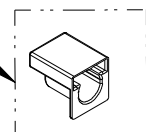
SHEET 1 OF 2



CAT NO,	DIM, A	DIM, B	DIM, C	FIXINGS
LB804YA3 LB806YA3	609.60	456.70	--	4
LB412YA3 LB812YA3	914.40	761.50	381.00	6
LB418YA3 LB818YA3	1219.20	533.15	6	



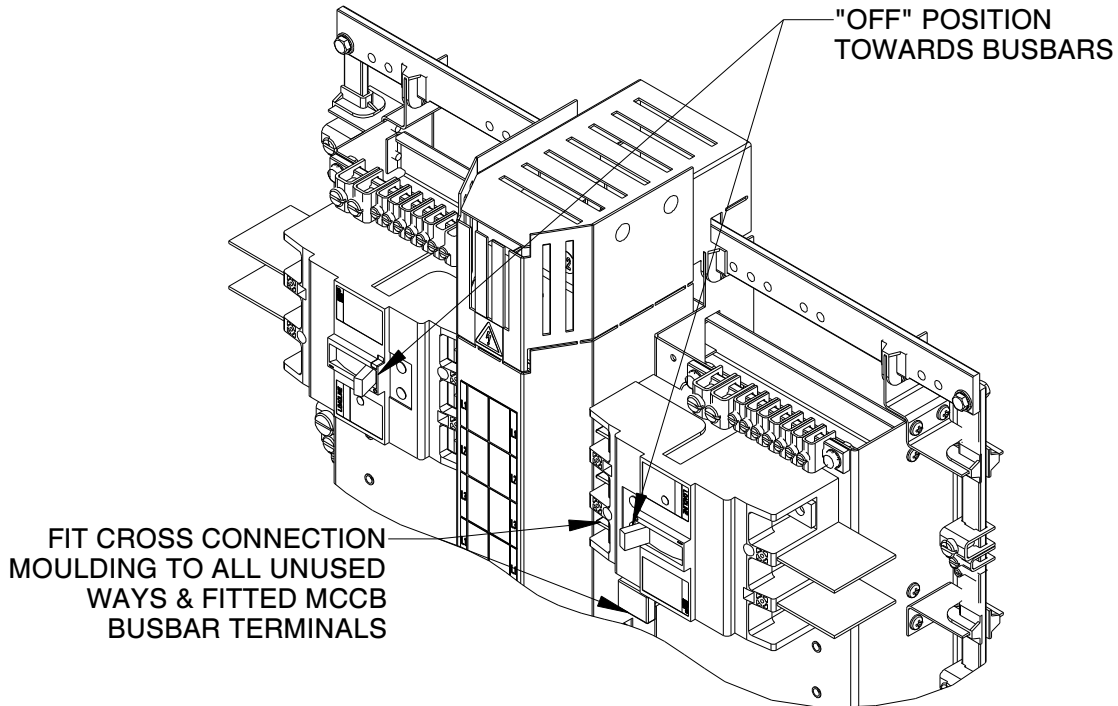
Cross connector moulding per outgoing way is supplied loose in unit along with required fastener kits



Installation and operation must be in accordance with published data, instructions and diagrams and any relevant national and local regulations

800A FORM 3a YA3/YB3 MCCB PANELBOARD
FITTING INSTRUCTIONS

SHEET 2 OF 2


TESTING AND COMMISSIONING

Before the unit and the installation of which it forms a part are commissioned they must be tested, in accordance with the requirements of the latest edition of the Requirements for Electrical Installations.

FITTING ENCLOSURE

- 1) Remove all front/end plates and fix the unit to the wall using suitable bolts (not supplied).
- 2) Enclosures for incoming devices or horizontal busbars may be fitted above or below the unit. Refer to the relevant catalogue for a full list. Each unit has its own specific fitting instruction. Leave space for add-on enclosure and note change of phase sequence if used for top entry.

FITTING DEVICES

- 1) Ensure supply to the unit is switched off before removing front plate.
- 2) Align the MCCB to the terminals with the "OFF" position towards the busbars as shown above, taking care with the phase orientation, and fasten to the mounting plate with the screws supplied with the MCCB.
- 3) Fully tighten the busbar connections. Refer to instructions supplied with MCCB for torque figures, setting details and additional information concerning the MCCB.
- 4) Install incoming cables using appropriate cable glands and sockets. To avoid swarf and other foreign objects entering the enclosure always remove gland plates to cut cable / trunking entries.
- 5) **NOTE:** All unused outgoing ways & the busbar terminal screws of fitted MCCBs must be fitted with cross connection mouldings supplied. Unused ways in front plate can be blanked off using blanks LBBP3PYA3 (available separately).
- 6) Use the earth kit required to attach earth connection to either end of unit as required.
- 7) Check tightness and alignment of all connections.
- 8) Refit front/end plates.

RECOMMENDED TORQUE FIGURES						
SIZE	M5	M6	M8	M10	M12	M16
TORQUE Nm	5.5	9.5	17	28	45	91