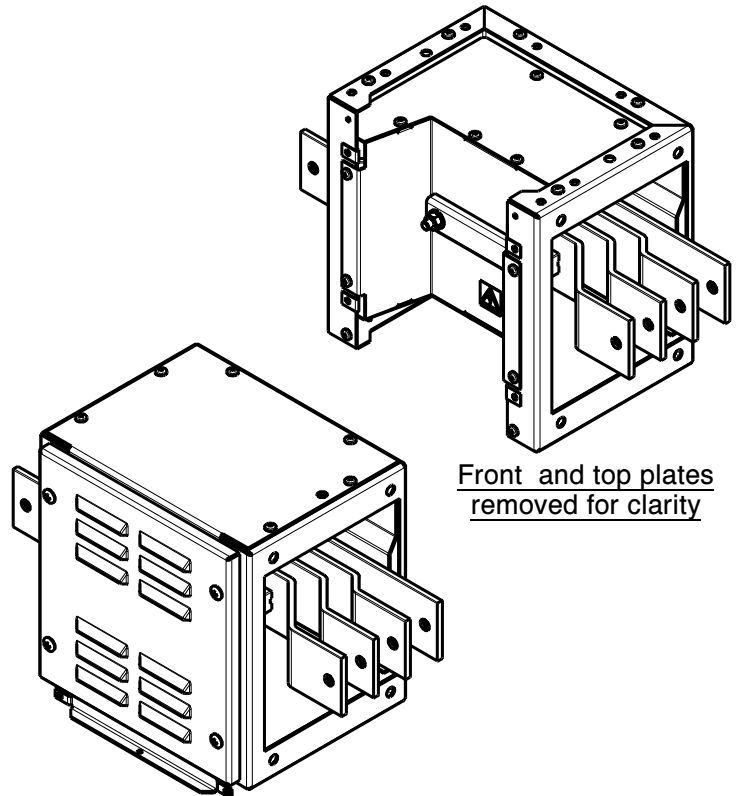
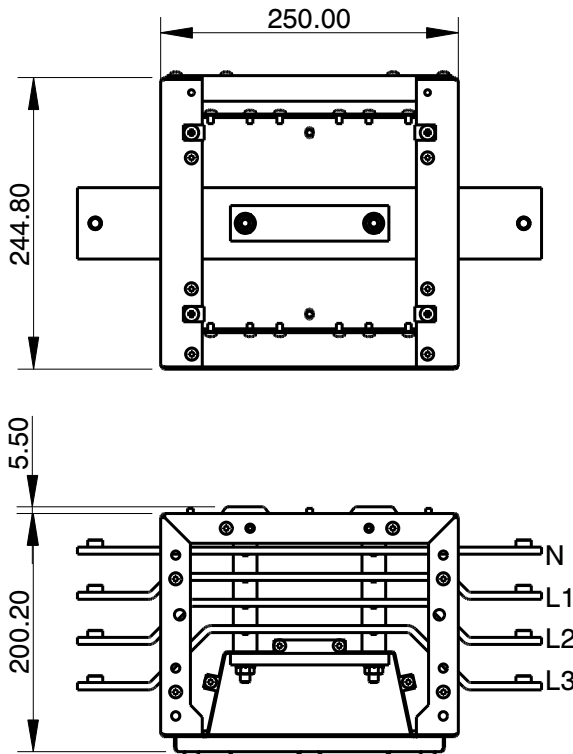


BUSBAR CABLEWAY 630A
FITTING INSTRUCTIONS

SHEET 1 OF 1

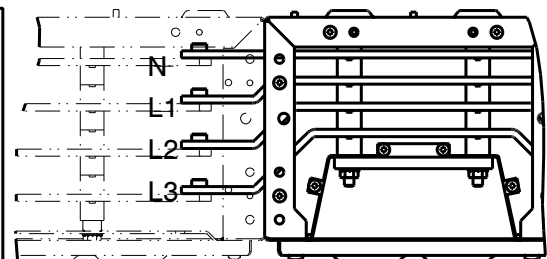


Front and top plates
removed for clarity

TESTING AND COMMISSIONING

Before the unit and the installation of which it forms a part are commissioned they must be tested, in accordance with the requirements of the latest edition of the Requirements for Electrical Installations.

Installation and operation must be in accordance with published data, instructions and diagrams and any relevant national and local regulations



Enclosure attached to MBB63
busbar chamber

MOUNTING INSTRUCTIONS

NOTE: Cableway busbar does not mount directly to wall but should be used in conjunction with MBB63 busbars and LECM cableways.

- 1) Remove all front/end plates.
- 2) Remove the end plate from the MBB63 busbar chamber and use the M8 bolts holding the end plate of the busbar chamber to bolt the enclosures together.
- 3) Bolt the busbars together using the M8 bolts provided.
- 4) Use the earth kit required to attach earth connection to either end of unit as required.
- 5) Refit cross straps and front plates. **NOTE:** Before fitting the front cover check the tightness of connections and ensure that all shrouds are correctly located and secured in place.

RECOMMENDED TORQUE FIGURES (unless otherwise stated)

SIZE	M5	M6	M8	M10	M12	M16
TORQUE Nm	5.5	9.5	17	28	45	91