

**DORMAN
SMITH**

LLGPYA7EXT

YA7 GENERAL PURPOSE ENCLOSURE TERMINAL EXTENSION KIT FITTING INSTRUCTION

SHEET 1 OF 1

The following items are supplied with each kit :

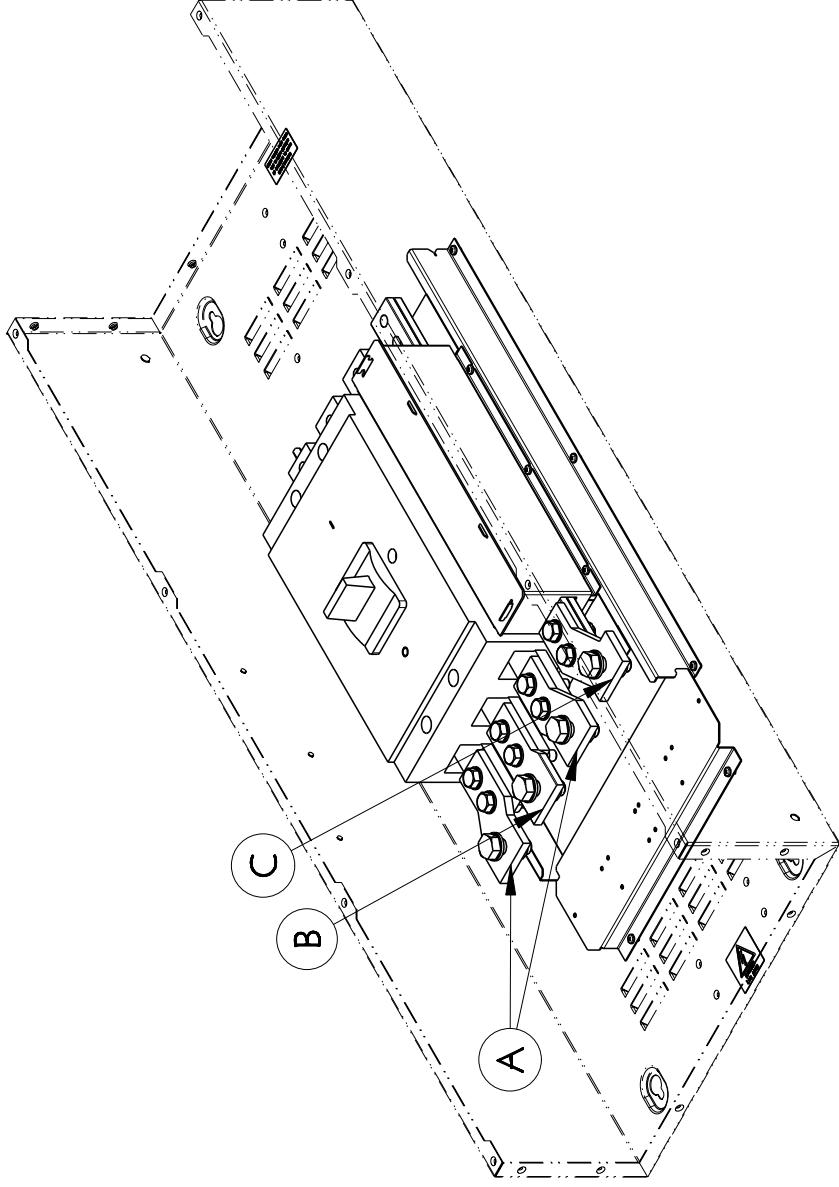
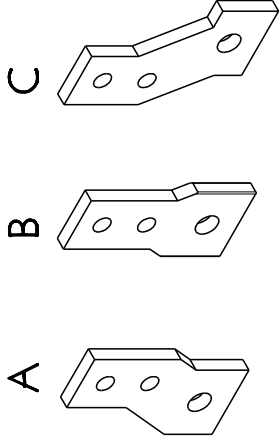
A : 2 x L1 & L3 Terminal Pad

B : 1 x L2 Terminal Pad

C : 1 x Neutral Terminal Pad

8 x M12 x 50 Hex Hd screws, nuts & washers

4 x M16 x 45 Hex Hd screws, nuts & washers



Fit the Extension pads to the MCCB terminals using the M12 x 50 fasteners provided. M12 torque value : 45Nm.
For customer cable connection use the M16 x 45 fasteners provided. M16 torque value : 91Nm.

Installation and operation must be in accordance with published data, instructions and diagrams
and any relevant national and local regulations

5N98629C

DRG

M217977

REV 0