

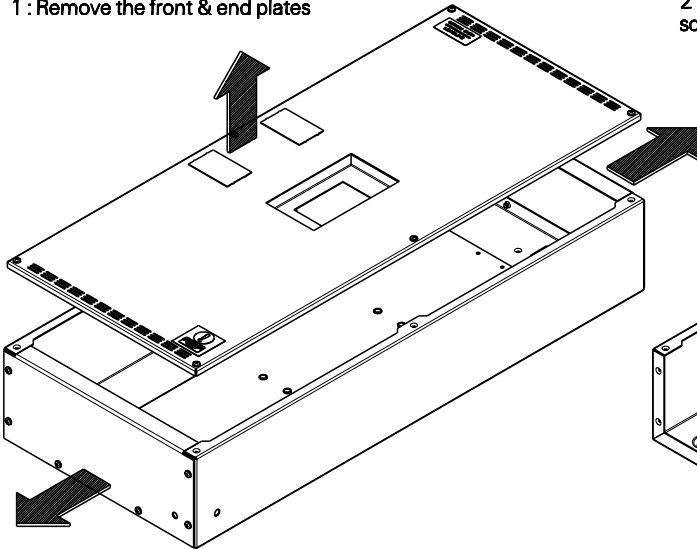
YA5 GENERAL PURPOSE ENCLOSURE

FITTING INSTRUCTION

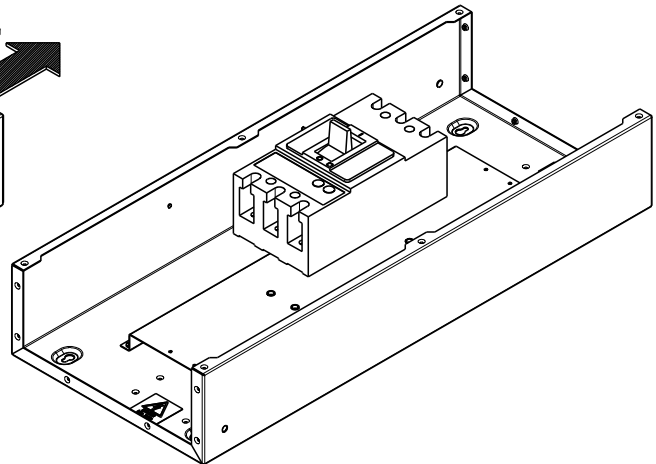
SHEET 1 OF 2

The following items are supplied with each unit :
2 x Earth Bolt kit T12036

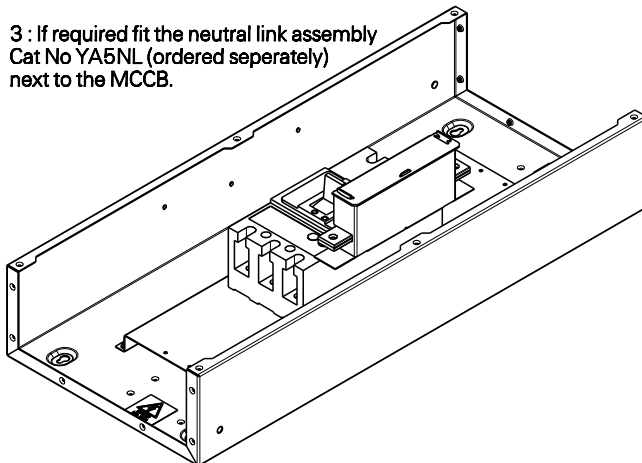
1 : Remove the front & end plates



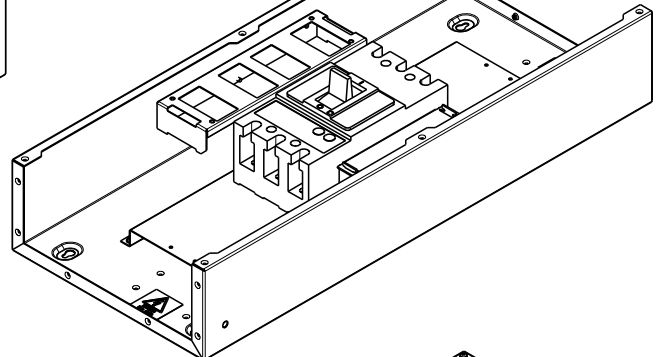
2 : Fit the YA5 MCCB using the M6 x 100 screws provided with the MCCB



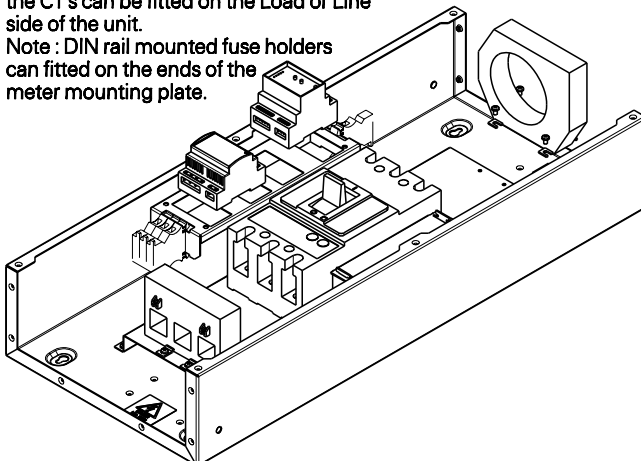
3 : If required fit the neutral link assembly Cat No YA5NL (ordered separately) next to the MCCB.



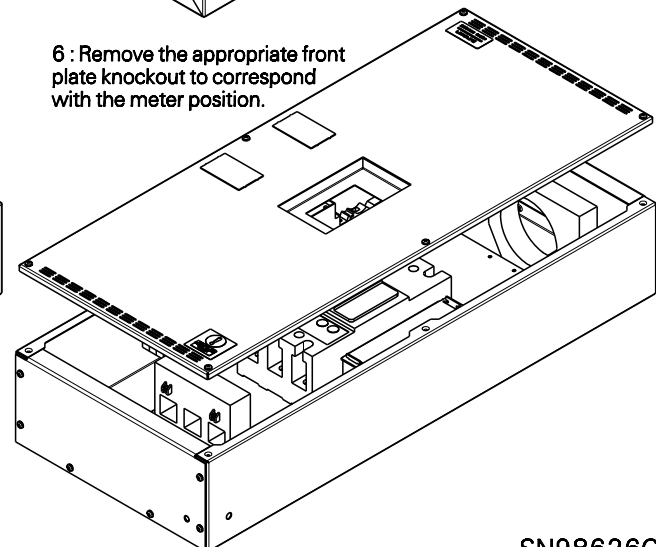
4 : If metering is required, remove the 5.50 dia knockouts in the side of the box & fit the meter mounting plate Cat No LLGPMP (ordered separately) in position as shown using the M5 x 8 tapite screws provided.



5 : Clip the meter(s) Cat No Ri3-01 and/or Cat No ELR1 (ordered separately) onto the meter mounting plate as shown. Fit CT's as shown, the CT's can be fitted on the Load or Line side of the unit.
Note : DIN rail mounted fuse holders can fitted on the ends of the meter mounting plate.



6 : Remove the appropriate front plate knockout to correspond with the meter position.

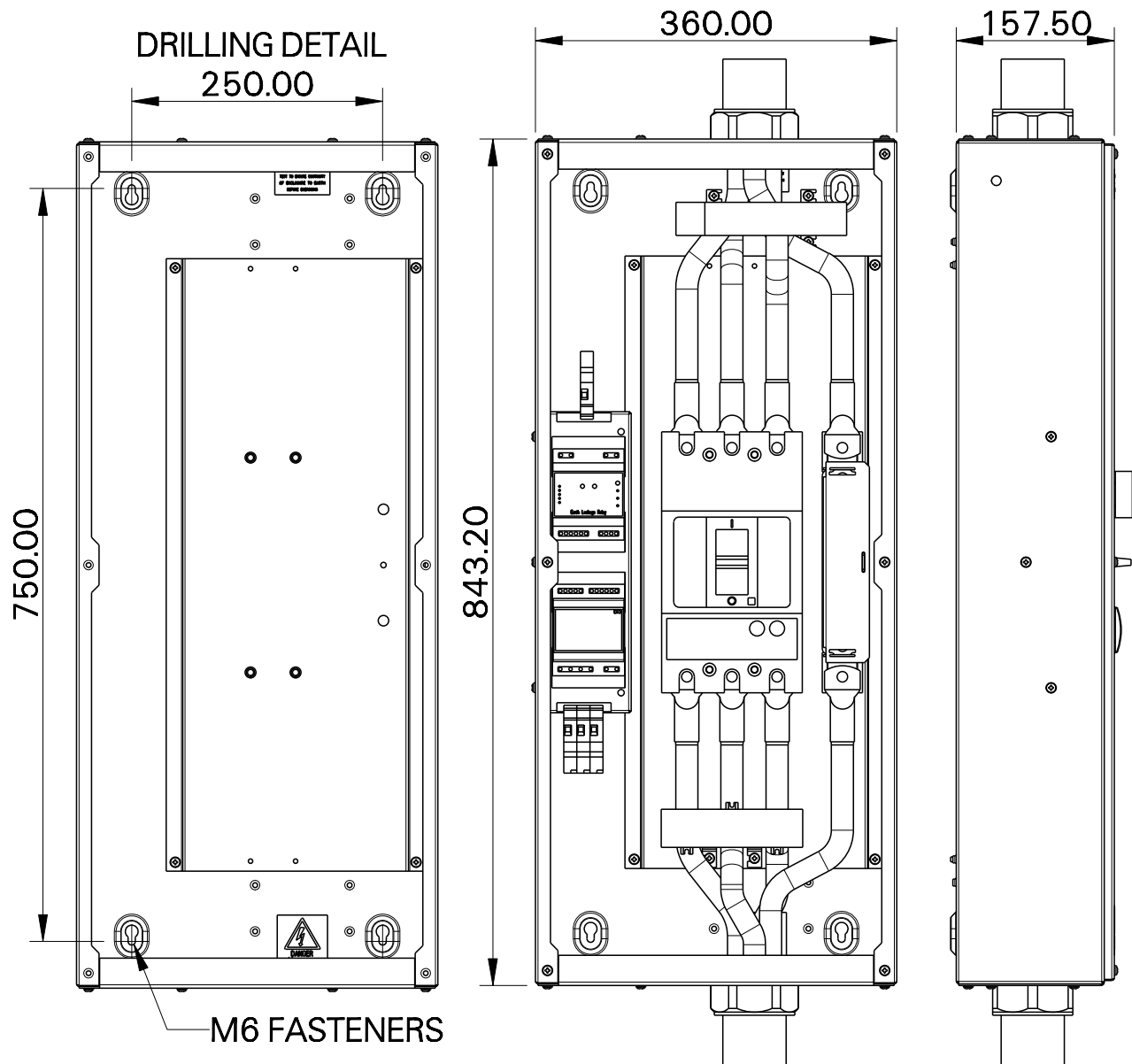


SN98626C

YA5 GENERAL PURPOSE ENCLOSURE

FITTING INSTRUCTION

SHEET 2 OF 2



YA5 UNIT suitable for 4c 185mm cable
using reduced palm cable lugs.
Cable clamp : 1 x 240mm cable or 2 x 120mm cable.

7 : See MCCB instruction sheet for terminal screw torque values, on completion of cabling
refit the end plates & front plate

Installation and operation must be in accordance with published data, instructions and diagrams
and any relevant national and local regulations

SN98626C

DRG

M217839

REV

1