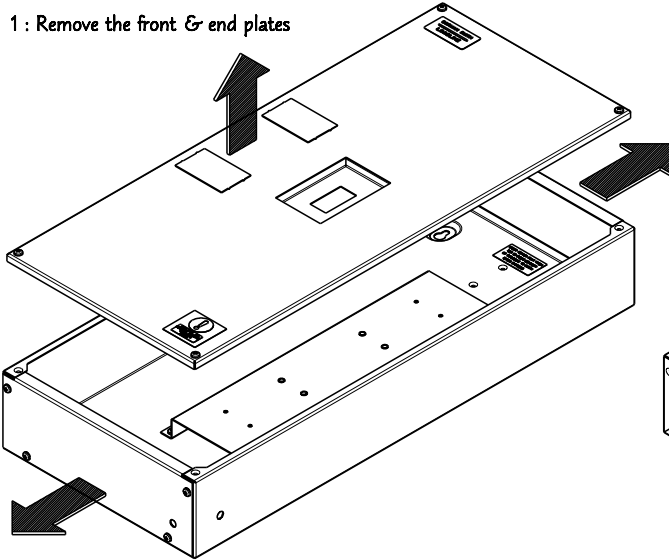
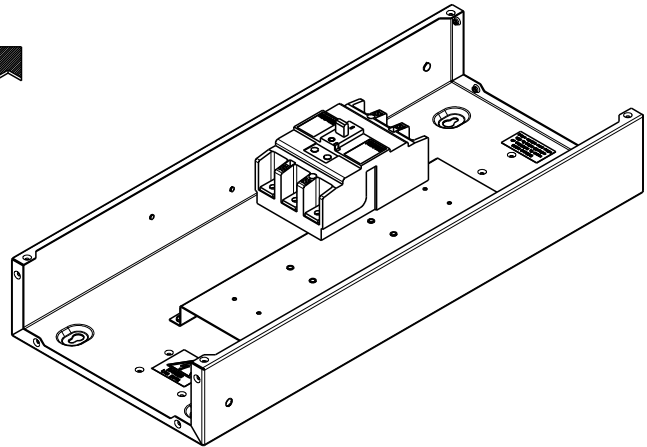


The following items are supplied with each unit :
2 x Earth Bolt kit T12036

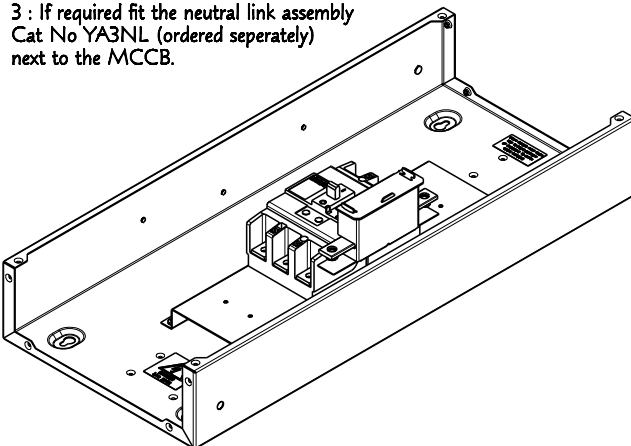
1 : Remove the front & end plates



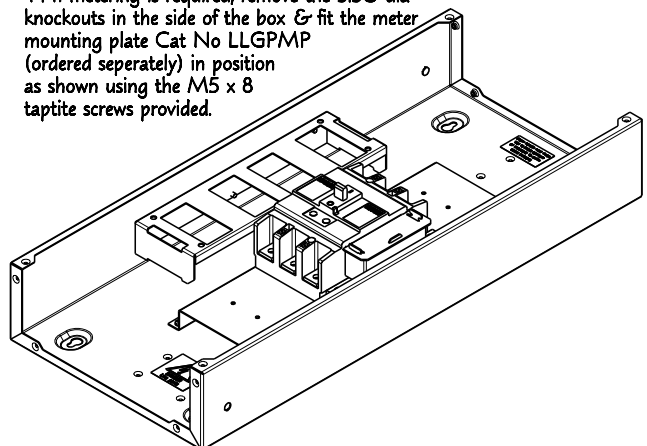
2 : Fit the YB3 MCCB using the M4 x 55 screws provided with the MCCB



3 : If required fit the neutral link assembly Cat No YA3NL (ordered separately) next to the MCCB.

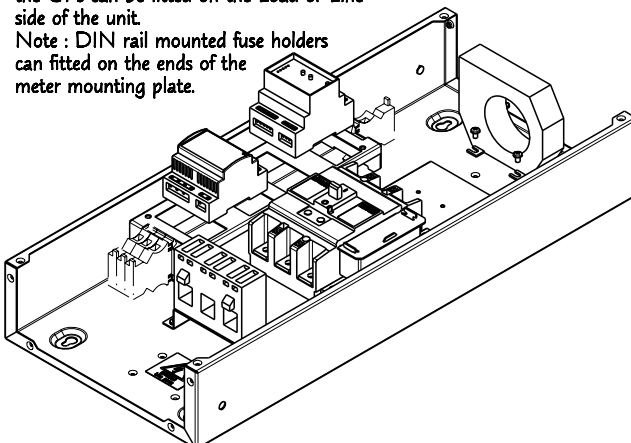


4 : If metering is required, remove the 5.50 dia knockouts in the side of the box & fit the meter mounting plate Cat No LLGPMP (ordered separately) in position as shown using the M5 x 8 taptite screws provided.

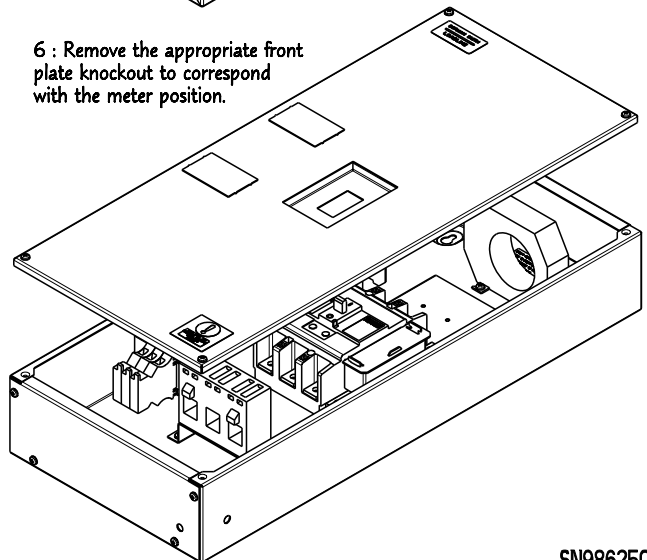


5 : Clip the meter(s) Cat No Ri3-O1 and/or Cat No ELR1 (ordered separately) onto the meter mounting plate as shown. Fit CT's as shown, the CT's can be fitted on the Load or Line side of the unit.

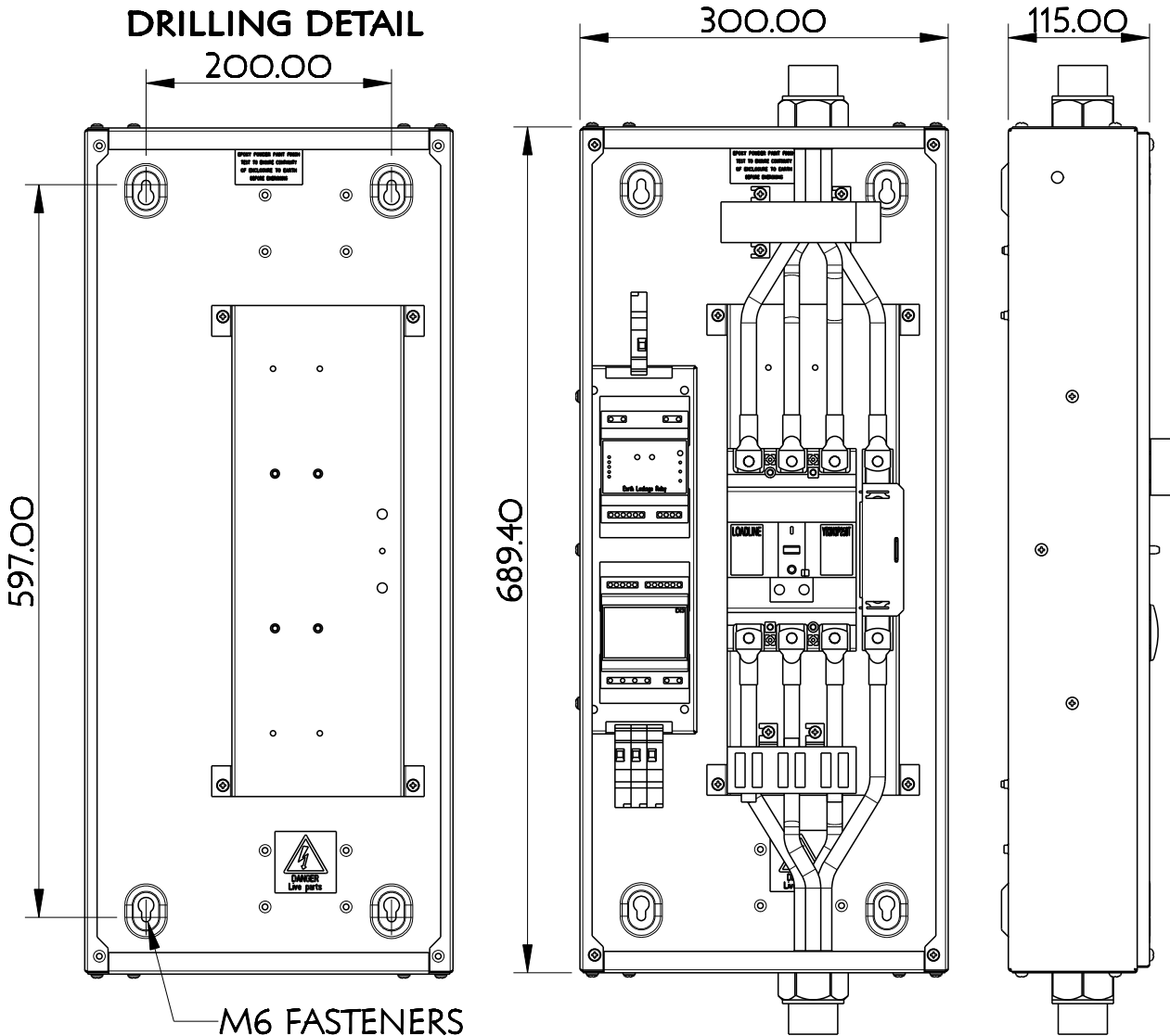
Note : DIN rail mounted fuse holders can be fitted on the ends of the meter mounting plate.



6 : Remove the appropriate front plate knockout to correspond with the meter position.



SN98625C



7 : See MCCB instruction sheet for terminal screw torque values, on completion of cabling refit the end plates & front plate

Installation and operation must be in accordance with published data, instructions and diagrams and any relevant national and local regulations

SN98625C