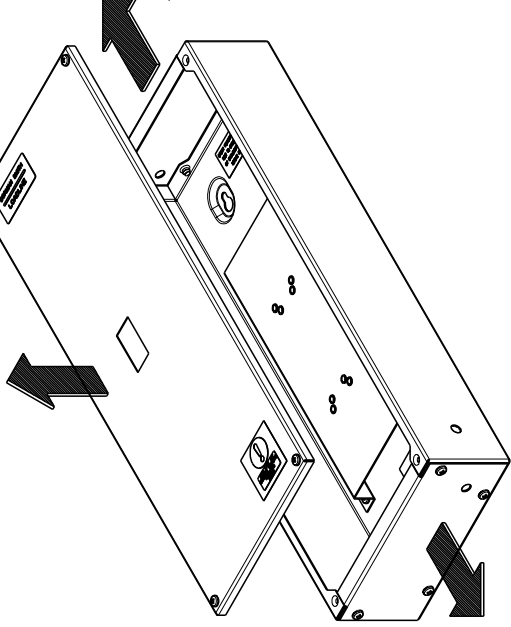


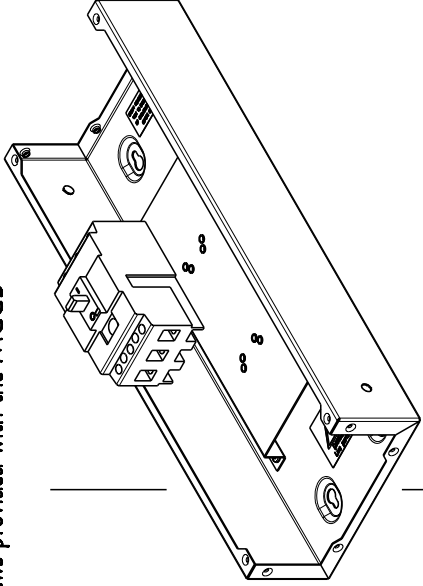
The following items are supplied with each unit :
2 x Earth Bolt kit T12O36

1 : Remove the front & end plates



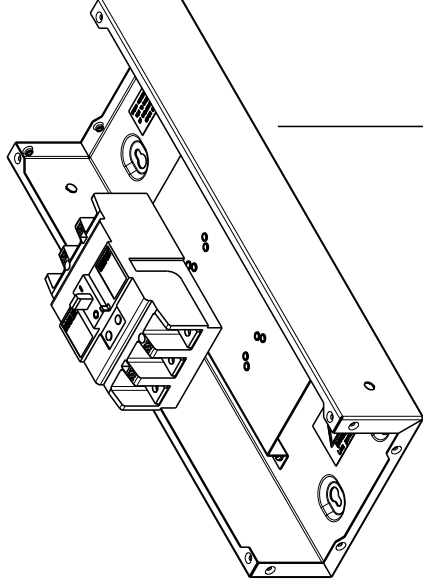
**FITTING YB1
MCCB**

2 : Fit the YB1 MCCB using the M4 x 60
screws provided with the MCCB

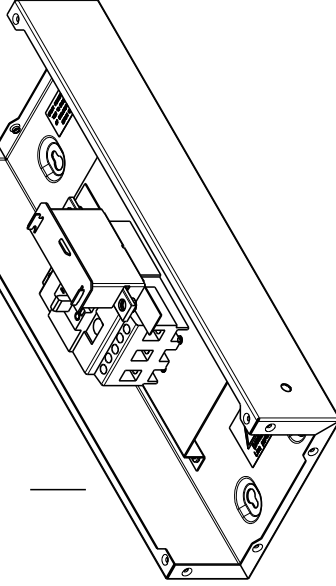


**FITTING YB3
MCCB**

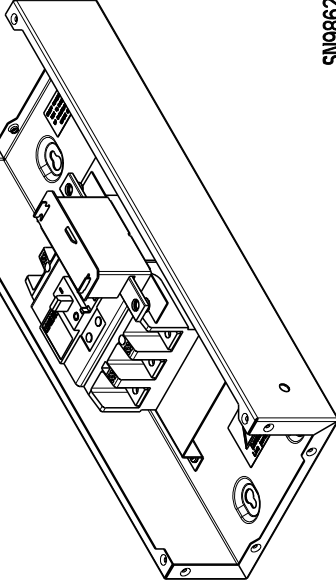
2 : Fit the YB3 MCCB using the M4 x 55
screws provided with the MCCB

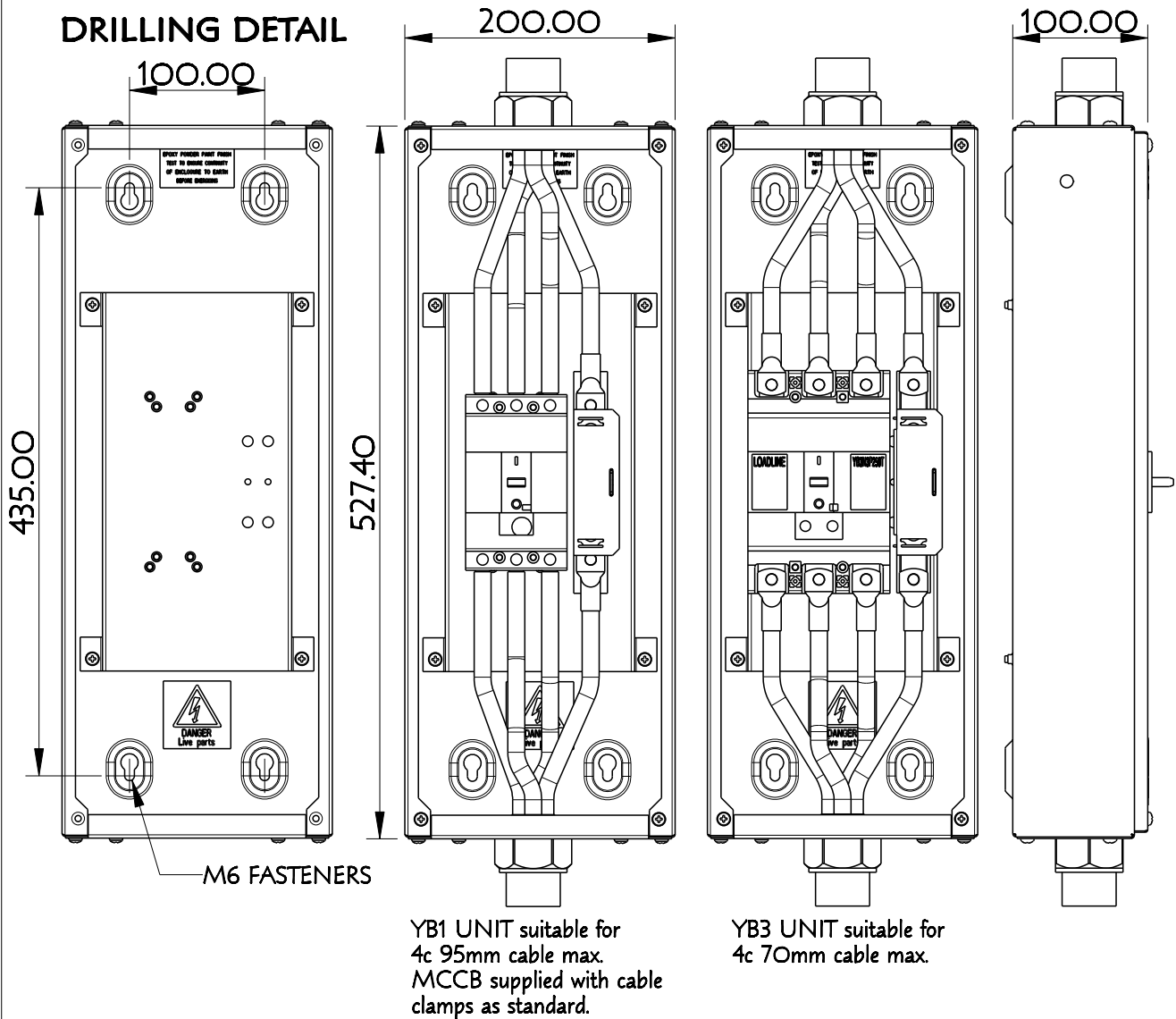


3 : If required fit the neutral link assembly
Cat No YB1N1L (ordered seperately)



3 : If required fit the neutral link assembly
Cat No YA3N1L (ordered seperately)
next to the MCCB.





4 : See MCCB instruction sheet for terminal screw torque values, on completion of cabling refit the end plates & front plate

Installation and operation must be in accordance with published data, instructions and diagrams
and any relevant national and local regulations

SN98624C