

**DBXYA3 TPN DIST BOARD KITS
FITTING INSTRUCTIONS**

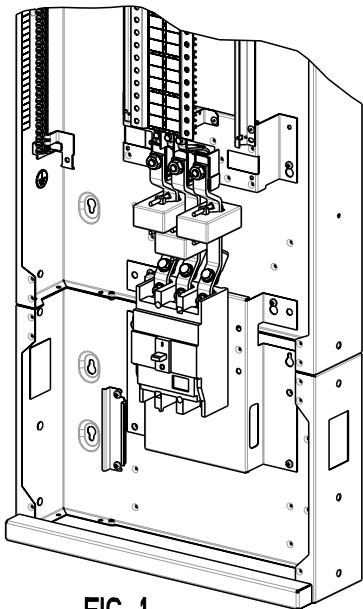
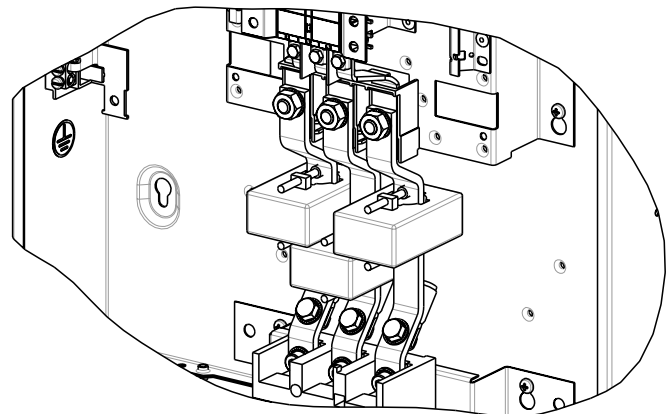


FIG 1

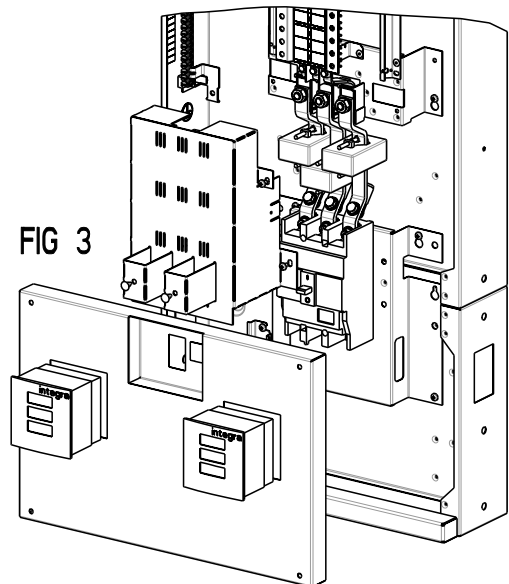
- 1) REMOVE DOOR/FRONT PLATE ASSEMBLIES FROM STANDARD BOARD AND MCCB HOUSING BY UNDOING 4 FIXING SCREWS ON EACH.
- 2) REMOVE LOWER END PLATE FROM STANDARD BOARD.
- 3) ATTACH MCCB HOUSING TO STANDARD BOARD USING 6 BOLTS SETS PROVIDED.
- 4) REPOSITION MCCB MOUNTING PLATE AS SHOWN. (SEE FIG 1)
- 5) INSTALL DIRECT CONNECTION KIT TO BUSBAR, SEE DBXD2 INSTRUCTIONS. RETAINING THE INCOMER DIN RAIL AND SCREWS.
- 6) INSTALL YA3 MCCB/SWITCH DISCONNECTOR ON MCCB MOUNTING PLATE.
- 7) INSTALL LINKS FROM MCCB/SWITCH DISCONNECTOR TO DIRECT CONNECTION TERMINALS.
- 7a) IF REQ'D POSITION CT ON EACH LINK, POSITIONED TOWARDS THE DIRECT CONN TERMINALS.
- 7b) IF A SECOND DB IS TO BE FED FROM THIS MCCB, SECURE A SET OF CABLES TO LINKS BETWEEN THE MCCB AND DIRECT CONN TERMINALS USING M8 FASTENERS PROVIDED. CABLES TO RUN UP BENEATH THE DIST BOARD.

FIG 2



- 8) REPOSITION SHORT MOUNTING RAIL FROM STD BOARD ON MCCB MOUNTING PLATE. (SEE FIG 1)
- 9) HAND FOLD TERMINAL SHROUD AND SECURE OVER LINKS WITH 4 FIXING SCREW PROVIDED. (SEE FIG 3)
- 10) HAND FOLD INTERPHASE BARRIER x 2 & SLOT INTO TERMINAL SHROUD SECURING WITH PLASTIC RIVETS PROVIDED.
- 11) REPLACE END PLATE ON BOTTOM OF MCCB HOUSING.
- 12) REPLACE DOOR/FRONT PLATE ASSEMBLY ON STD BOARD AND FIT BLANKING PIECE PROVIDED.
- 13) REPLACE FRONT PLATE ON MCCB HOUSING. FIT PANEL MOUNTED METERS THROUGH KNOCK-OUTS IF APPROPRIATE. (SEE FIG 3)

FIG 3



ARRANGEMENT SHOWING MCCB HOUSING MOUNTED SIDE BY SIDE TO METER HOUSING DBMSB

REMOVE KNOCK-OUTS IN SIDE OF METER & MCCB HOUSING TO ALLOW FIXING & CABLE ROUTING. INSTALL EITHER DIN RAIL MOUNTED METER USING RAIL & MOUNTING PLATE SUPPLIED IN CAT No DBXCK. (SEE FIG 4) OR PANEL MOUNTED METER. REMOVING APPROPRIATE KNOCK-OUTS REPLACE FRONT PLATES.

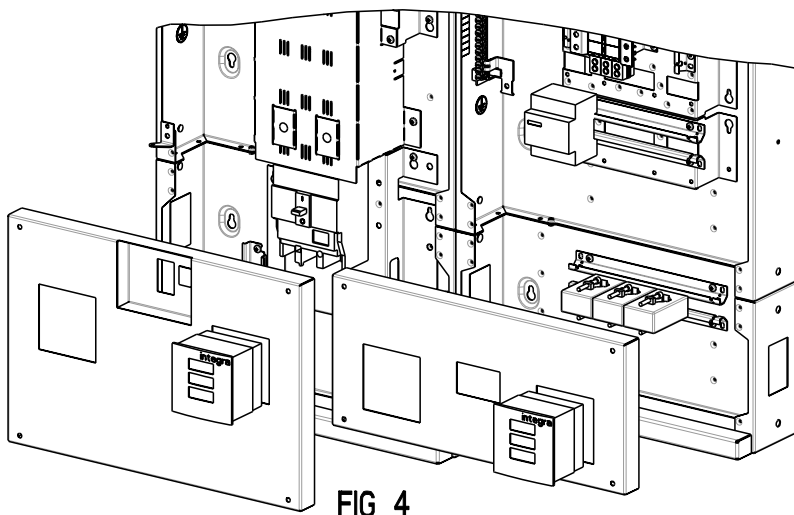
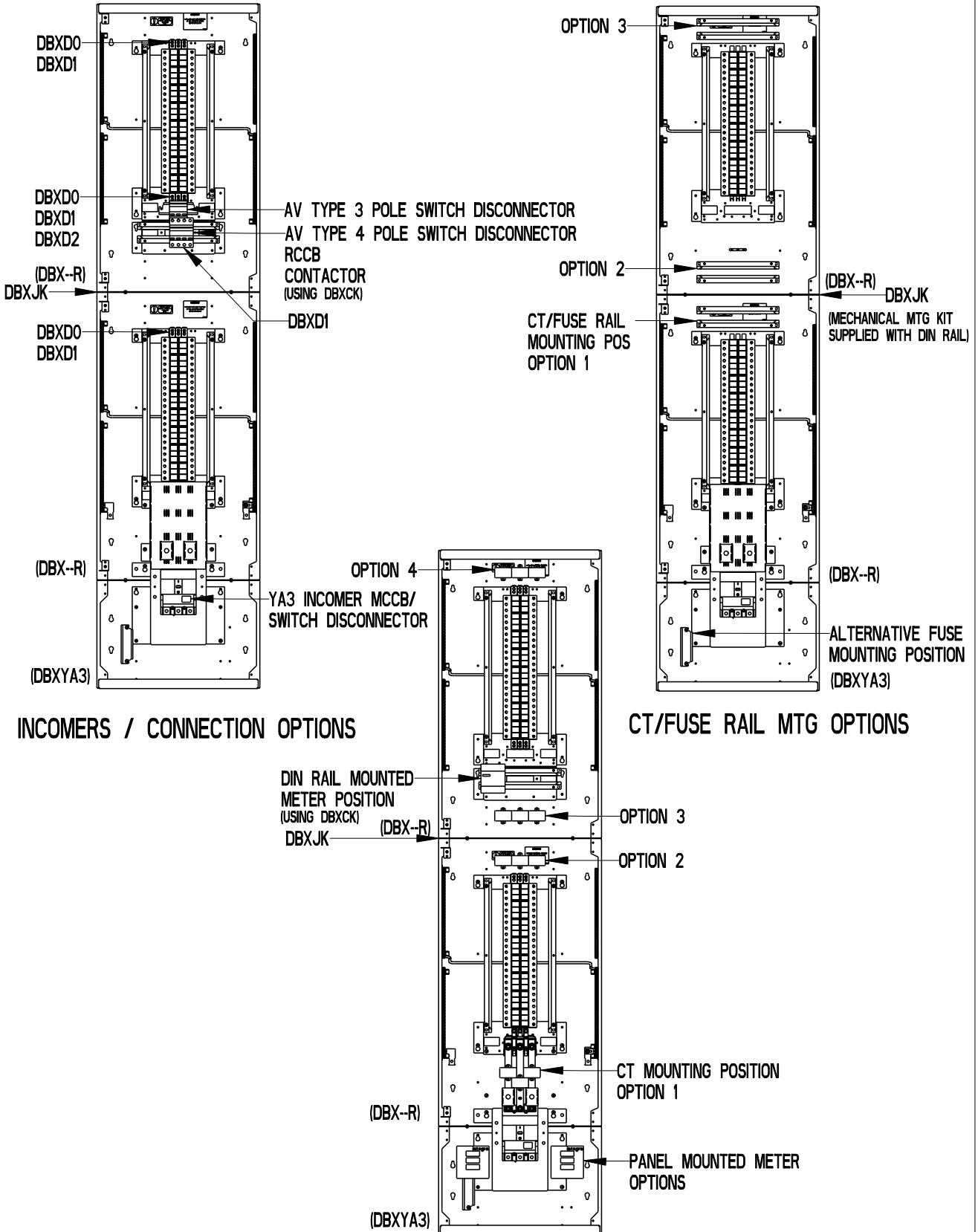


FIG 4

NOTE! INTERNAL WIRING FOR CT'S, FUSES AND METERS NOT DETAILED

SN98113C

**DBXYA3 TPN DIST BOARD KITS
FITTING INSTRUCTIONS**



METER AND CT MOUNTING OPTIONS

SN98113C