

DBMSB TPN DIST BOARD KITS

FITTING INSTRUCTIONS

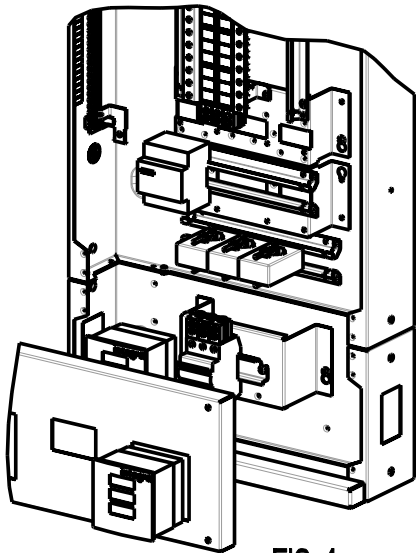


FIG 1

USE AS METER MOUNTING BOX WITH INCOMING DEVICE

- 1) REMOVE DOOR/FRONT PLATE ASSEMBLIES FROM STANDARD BOARD AND METER HOUSING BY UNDOING 4 FIXING SCREWS ON EACH.
- 2) REMOVE LOWER END PLATE FROM STANDARD BOARD.
- 4) REMOVE SHORT MOUNTING RAIL FROM STD BOARD & REPOSITION ON MOUNTING PLATE IN METER HOUSING (SEE FIG 1)
- 5) INSTALL SWITCH DISCONNECTOR ON SHORT MOUNTING RAIL.
- 6) INSTALL LINKS FROM SWITCH DISCONNECTOR TO TERMINAL BLOCK (SUPPLIED IN DBXDO) IF APPROPRIATE. (SEE FIG 2)
- 7) INSTALL DIN MOUNTING RAIL IN STD BOX USING SCREWS PROVIDED. (SEE FIG 1)
- 8) MOUNT CT'S TO DIN RAIL. (SEE FIG 1)
- 9) INSTALL TERMINAL BLOCKS (SUPPLIED IN DBXDO) TO APPROPRIATE BUSBAR STEMS.
- 10) REPLACE END PLATE ON BOTTOM OF METER HOUSING.
- 11) INSTALL DIN RAIL MOUNTED METER IF APPROPRIATE, USING RAIL & MOUNTING PLATE SUPPLIED IN CAT No DBXCK
- 12) REPLACE DOOR/FRONT PLATE ASSEMBLY ON STD BOARD AND FIT BLANKING PIECE PROVIDED & REMOVE LH KNOCK-OUT FROM FRONT PLATE IF APPROPRIATE.
- 13) REPLACE FRONT PLATE ON METER HOUSING. REMOVING THE CENTRE KNOCK-OUT & FIT BLANKING PIECE IF REQUIRED. FIT PANEL MOUNTED METERS THROUGH KNOCK-OUTS IF APPROPRIATE.
- 14) ATTACH SWITCH DISCONNECTOR ON/OFF LABEL TO RIGHT OF CUTOUT IN FRONT PLATE

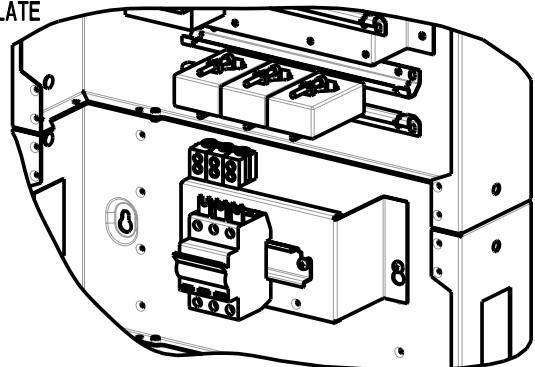


FIG 2

ARRANGEMENT SHOWING METER HOUSING MOUNTED SIDE BY SIDE.

REMOVE KNOCK-OUTS IN SIDE OF METER/SPREADER HOUSING TO ALLOW FIXING & CABLE ROUTING. INSTALL EITHER DIN RAIL MOUNTED METER USING RAIL & MOUNTING PLATE SUPPLIED IN CAT No DBXCK. (SEE FIG 3) OR PANEL MOUNTED METER REMOVING APPROPRIATE KNOCK-OUTS. REPLACE FRONT PLATES.

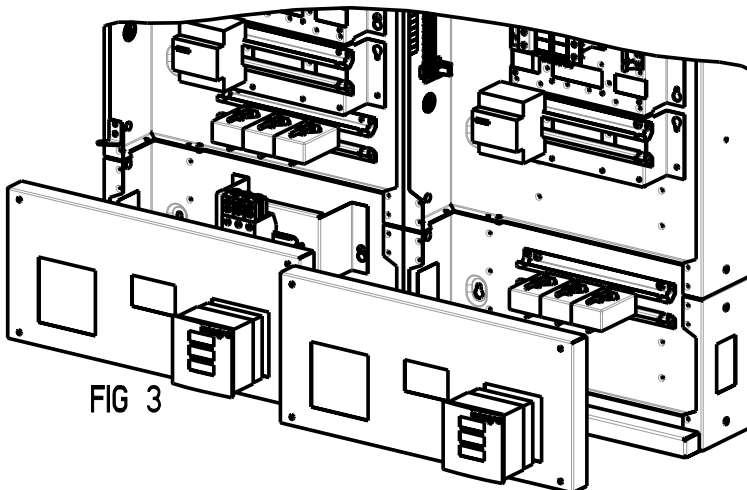


FIG 3

USE AS CABLE SPREADER BOX

- 1) REMOVE DOOR/FRONT PLATE ASSEMBLIES FROM STANDARD BOARD AND METER HOUSING BY UNDOING 4 FIXING SCREWS ON EACH.
- 2) REMOVE LOWER END PLATE FROM STANDARD BOARD.
- 3) ATTACH METER/SPREADER HOUSING TO STANDARD BOARD USING 6 BOLTS SETS PROVIDED. (SEE FIG 4)
- 4) REPLACE END PLATE ON BOTTON OF MCCB HOUSING.
- 5) REPLACE DOOR/FRONT PLATE ASSEMBLY ON STDBOARD & METER/SPREADER HOUSING.

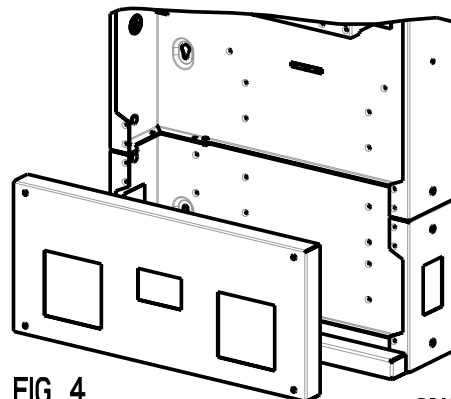
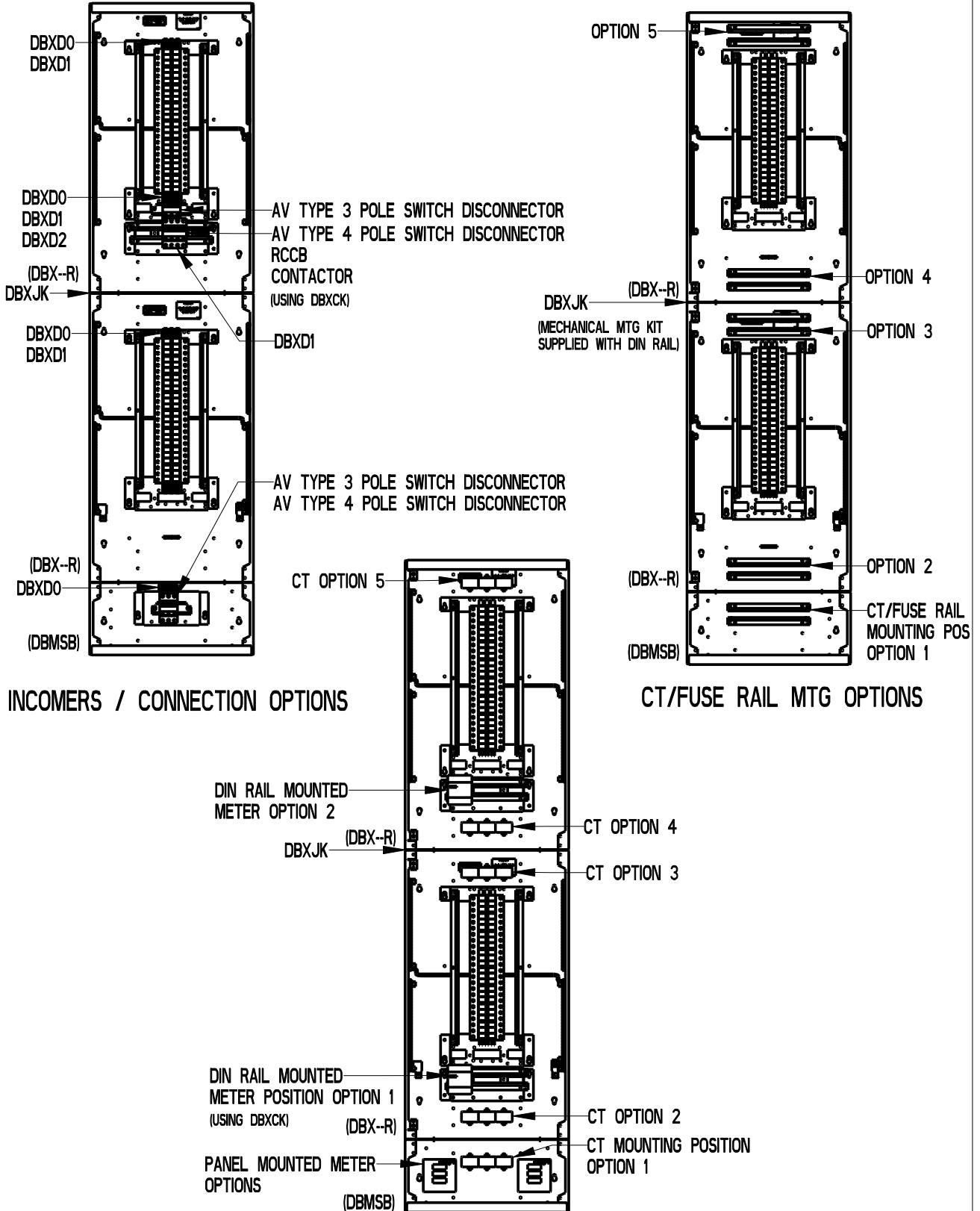


FIG 4

SN98095C

NOTE! INTERNAL WIRING FOR CT'S, FUSES AND METERS NOT DETAILED

**DBMSB TPN DIST BOARD KITS
FITTING INSTRUCTIONS**



METER AND CT MOUNTING OPTIONS

SN98095C