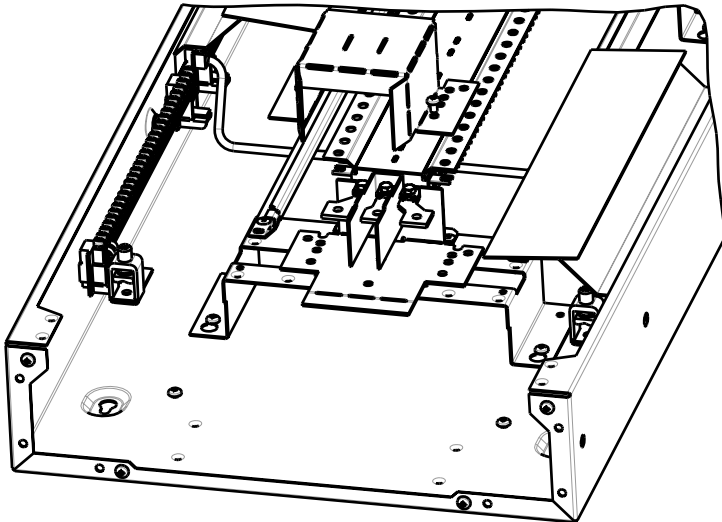


DIRECT CONNECTION KIT - DBXD1 (70mm²)

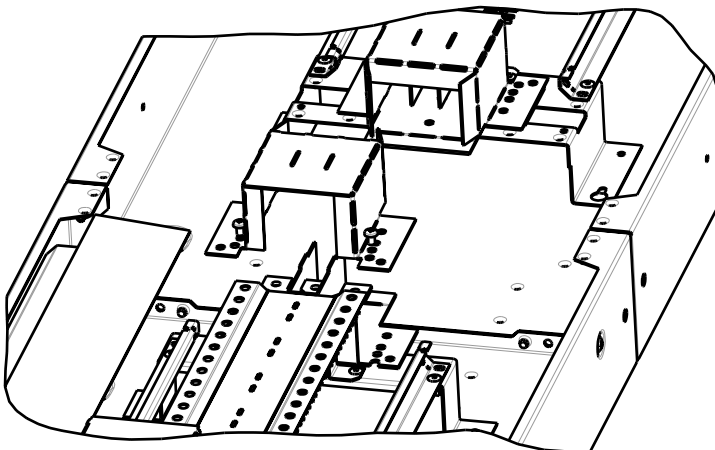
FITTING INSTRUCTIONS

SHEET 1 OF 2



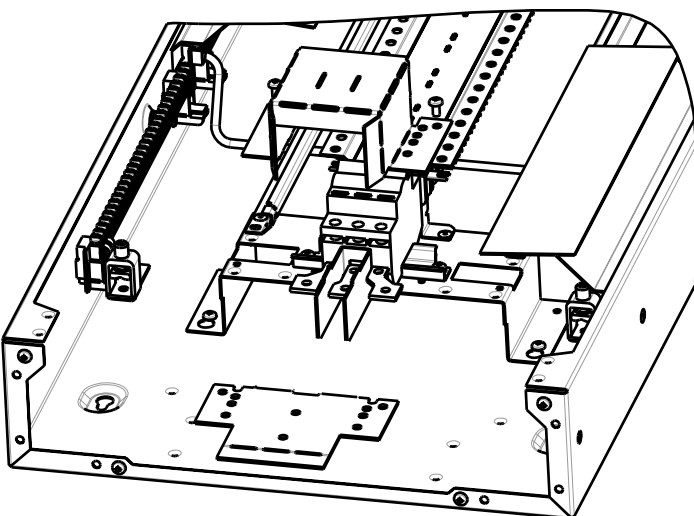
DIRECT CONNECTION:

- 1) REMOVE SHORT MOUNTING RAIL & BOTH FIXING SCREWS.
- 2) PLACE BUSBAR SUPPORT/LOWER SHROUD BENEATH BUSBARS.
- 3) PLACE U SHAPED SHROUD OVER THE CENTRE BUSBAR STEM.
- 4) INSTALL TERMINAL ASSEMBLIES UNDER BUSBAR STEMS & SECURE WITH SADDLE CLAMPS & SCREWS.
- 5) FIT CABLE LUGS TO UNDERSIDE OF TERMINAL WITH SCREWS PROVIDED.
- 6) INSTALL TERMINAL SHROUD OVER ASSEMBLY AND SECURE WITH TWO SCREWS.
- 7) INSERT THREE BLANKING PIECES IN FRONT SHIELD APPERATURE.



TOP BUSBAR FIXING:

REFER TO STEPS 2 TO 6 FOR FITTING OF DBXD1 TO TOP OF BUSBAR



AV SWITCH DISCONNECTER CONNECTION:

- 1) REMOVE SHORT MOUNTING RAIL BY SLACKENING BOTH SCREWS.
- 2) FULLY SLACKEN SWITCH DISCONNECTER TERMINAL SCREWS.
- 3) FIT SWITCH DISCONNECTER TO RAIL.
- 4) OFFER UP TO BUSBAR ENSURING STEMS FULLY LOCATE INTO SWITCH DISCONNECTER TERMINALS.
- 5) TIGHTEN MOUNTING RAIL SCREWS.
- 6) TIGHTEN SWITCH DISCONNECTER TERMINAL SCREWS.
- 7) INSTALL TERMINAL ASSEMBLIES INTO SWITCH DISCONNECTER AND SECURE WITH TERMINAL SCREWS, ENSURE U SHAPED SHROUD IS TRAPPED BY L2 TERMINAL ASSEMBLY.
- 8) FIT CABLE LUGS TO UNDERSIDE OF TERMINAL WITH SCREWS PROVIDED.
- 9) 'BREAK OFF' BUSBAR SUPPORT PIECE FROM LOWER SHROUD & DISCARD.
- 10) INSTALL TERMINAL SHROUD OVER ASSEMBLY AND SECURE WITH TWO SCREWS, ENSURING LOWER SHROUD IS TRAPPED.
- 11) ATTACH SWITCH DISCONNECTER ON/OF LABEL TO RIGHT OF CUT OUT IN FRONT PLATE.

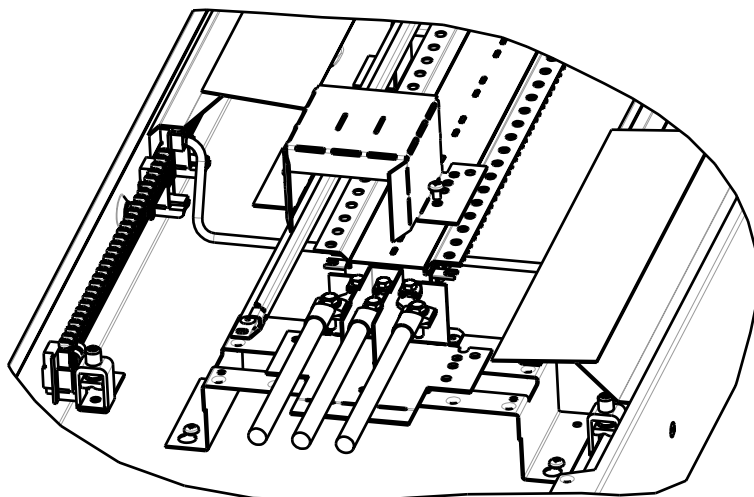
SN98064C

DIRECT CONNECTION KIT - DBXD1 (70mm²)

FITTING INSTRUCTIONS

SHEET 2 OF 2

FITTING LOADSWITCH HOUSING TO STANDARD BOARD USING DBXLSA1 OR DBXLSA2



- 1) REMOVE DOOR AND FRONT PLATE ASSEMBLY BY UNDOING 4 FIXING SCREWS.
- 2) REMOVE BOTTOM END PLATE FROM STANDARD BOARD.
- 3) INSTALL DIRECT CONNECTION KIT AS PER DBXD1.
- 4) REMOVE APPROPRIATE LOADSWITCH HOUSING FRONT COVER TO ACCESS TERMINALS.
- 5) REPLACE APPROPRIATE LOADSWITCH HOUSING END PLATE WITH SPECIAL END PLATE.
- 6) ATTACH LOADSWITCH HOUSING TO SPECIAL END PLATE USING APPROPRIATE BOLT SET.
- 7) ATTACH SPECIAL END PLATE TO STANDARD BOARD USING TWO SCREWS AND TWO BOLT SETS.
- 8) INSTALL CABLES FROM LOADSWITCH TO INCOMING NEUTRAL AND PHASE TERMINALS ON STANDARD BOARD.
- 9) INSTALL MCB'S/RCBO'S AS DESCRIBED IN GENERAL INSTALLATION LEAFLET.
- 10) REPLACE DOOR/FRONT PLATE ASSEMBLY.

MAINTENANCE

MAINTENANCE MUST BE CARRIED OUT BY COMPETENT PERSONNEL WITH THE SUPPLY ISOLATED. HOWEVER NO MAINTENANCE OF THE UNIT IS REQUIRED EXCEPT FOR THE PERIODIC CHECKING OF THE TIGHTNESS OF THE TERMINALS. ALL ELECTRICAL CONNECTIONS SHOULD BE CORRECTLY ALIGNED, TIGHTENED AND CHECKED AGAINST THE FOLLOWING TORQUE FIGURES:

M4 - 1.35Nm
M5 - 5.5Nm
M6 - 9.5Nm
M8 - 17Nm
M10 - 28Nm
M12 - 45Nm
M16 - 91Nm

WE RECOMMEND THAT YOU RETAIN THIS SHEET AND STORE IT WITHIN THE DISTRIBUTION BOARD FOR FUTURE REFERENCE.

SN98064C