

DORMAN
SMITH

LECM

LOADBANK PANELBOARD CABLEWAYS

FITTING INSTRUCTION

SHEET 1 OF 1

The following items are supplied with all units :
1 x Divider Channel (A) + fastener kit T14O61
2 x Earth Bolt kit T12O36

The following items are supplied with each unit :

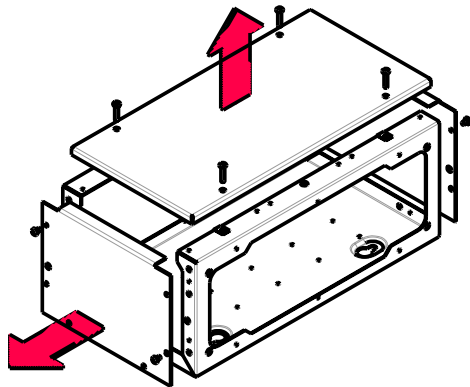
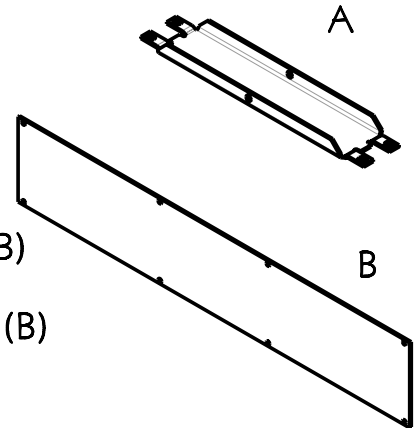
LECM1 & 2 : 1 x Fixing Kit T14O63

LECM3 & 4 : 1 x Fixing Kit T12176

LECM5 : 1 x Fixing Kit T14O64 + Internal Shield 6 Way (B)

LECM6 : 1 x Fixing Kit T12175

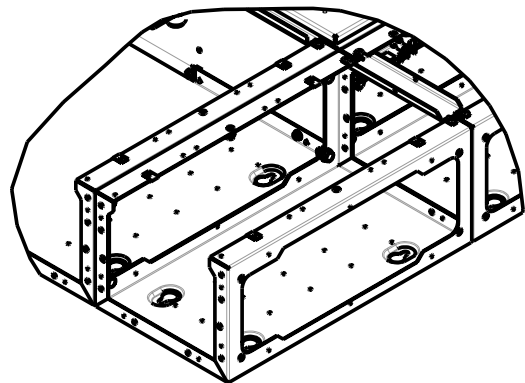
LECM8 : 1 x Fixing Kit T14O65 + Internal Shield 10 Way (B)



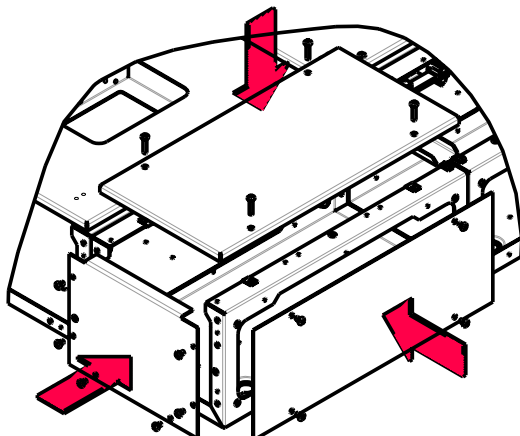
1 : Remove the front & end plates

2 : Remove the side plate from the Loadbank unit & fit the cableway as shown using the M8 x 16 fasteners supplied.

If used in conjunction with other cableways fit divider channel Item A using the thread forming screws provided in fastener kit T14O61



3 : If appropriate fit internal shield (B) between cableway and Loadbank



4 : After installation of cables refit the front & end plates using the thread forming screws provided in fastener kits. Reposition the side plate removed from the Loadbank unit on the side of the cableway as shown.

Installation and operation must be in accordance with published data, instructions and diagrams and any relevant national and local regulations

SN98215C

DRG

M216808

REV

0