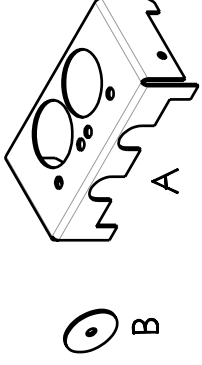


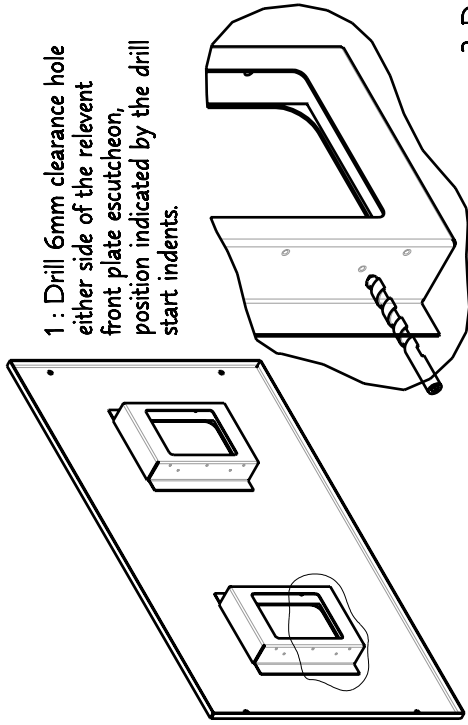
The following items are supplied with this kit :

A : 1 x Castell Mounting Plate

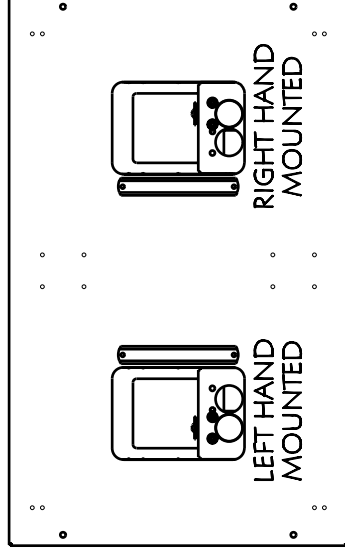
B : 1 x Lock Bolt Adaptor Plate + fasteners



Note : CASTELL lock to be ordered seperately - K series Form 1 type lock 6.4mm bolt extrusion



1 : Drill 6mm clearance hole either side of the relevant front plate escutcheon, position indicated by the drill start indentations.

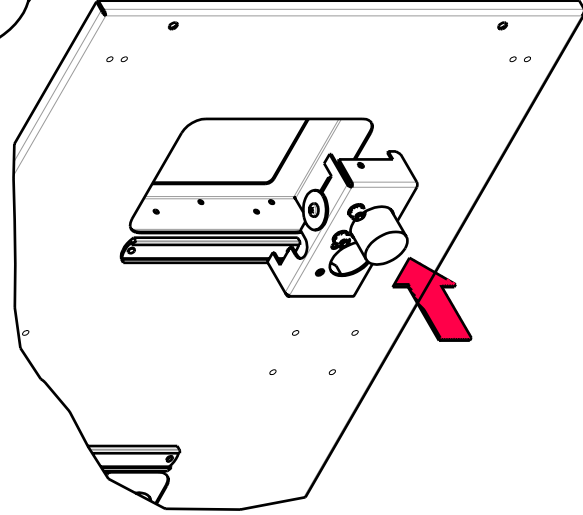
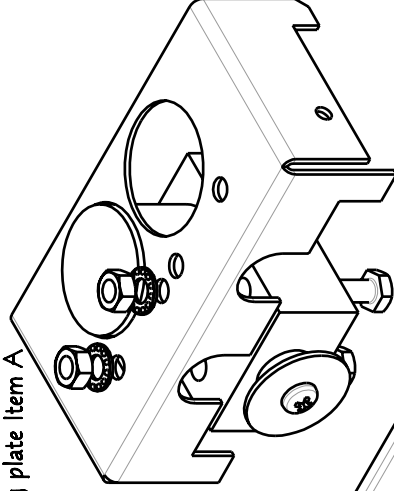
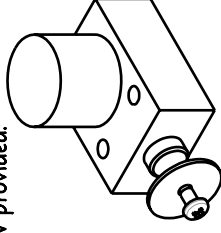


VIEW FROM FRONT

3 : Fit the Castell lock into the mounting plate Item A using the M6 x 35 Hex Hd screws, nuts & washers provided.

Note : RH mounted assembly shown, for LH mounted use the alternative hole in the mounting plate.

2: Drill & tap (M5) the castell lock bolt & fit item A using the M5 x 12 Hex Hd screw provided.



4 : Fit the Castell lock assembly in position & secure using the M5 x 8 thread forming screws provided.

Installation and operation must be in accordance with published data, instructions and diagrams and with any relevant national and local regulations.

SN98199C

DRG

M216799

REV 0