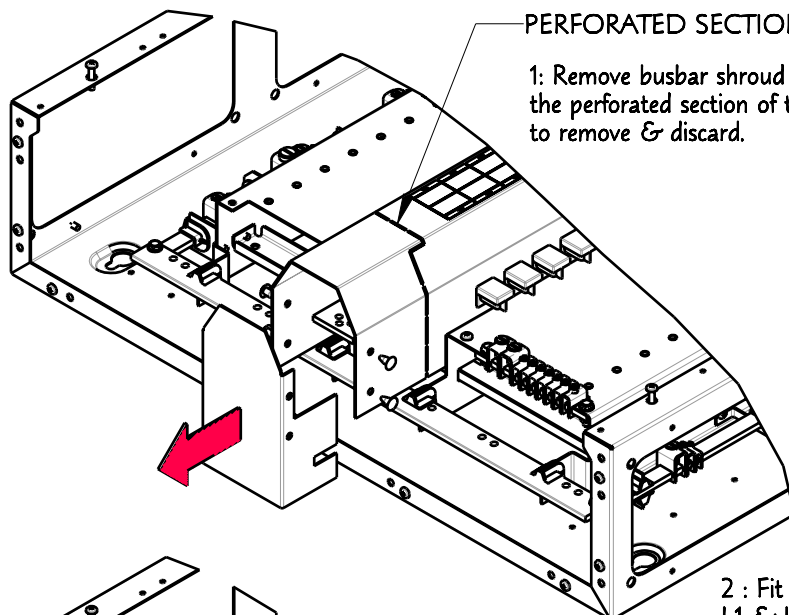
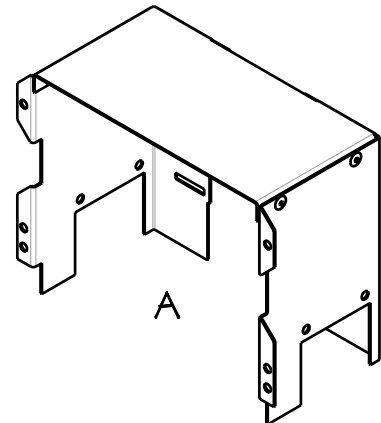
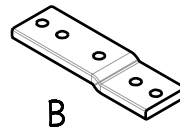


The following items are supplied with this kit :

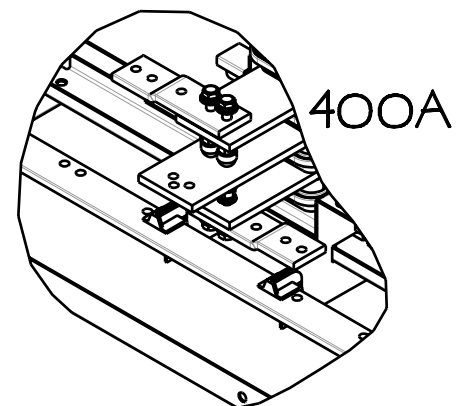
A : 1 x Busbar End Shroud T12049

B : 4 x Terminal Extensions + fasteners



PERFORATED SECTION

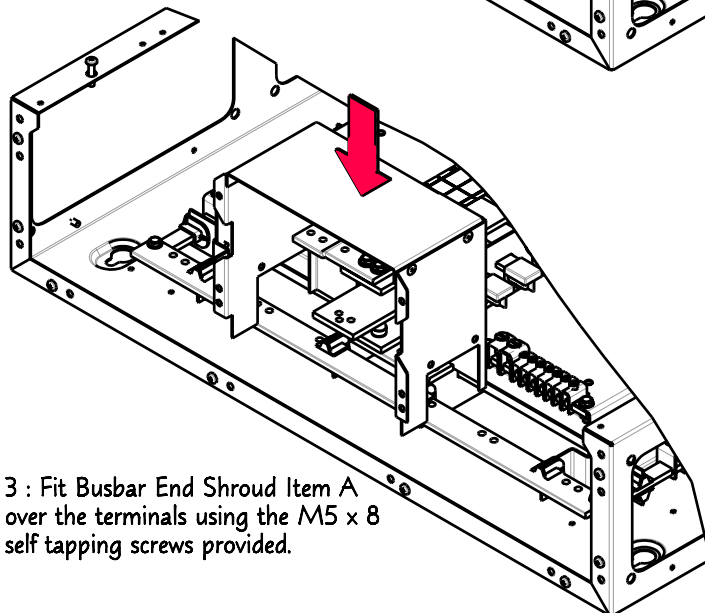
1: Remove busbar shroud end cap & cut around the perforated section of the busbar shroud to remove & discard.



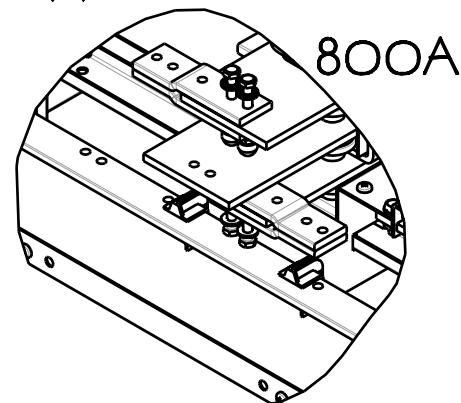
400A

2 : Fit the Terminal Extensions Item B to the L1 & L3 phases as shown using 1 lam per phase for the 400A unit & 2 lams per phase for the 800A unit. Secure in place using the M6 x 30 Hex Hd screws, nuts & washers.

Fit the plastic caps provided over the M6 nuts.



3 : Fit Busbar End Shroud Item A over the terminals using the M5 x 8 self tapping screws provided.



800A

Connection screw recommended torque figure : M6 fasteners - 9Nm

Installation and operation must be in accordance with published data, instructions and diagrams and with any relevant national and local regulations.

SN98196C