

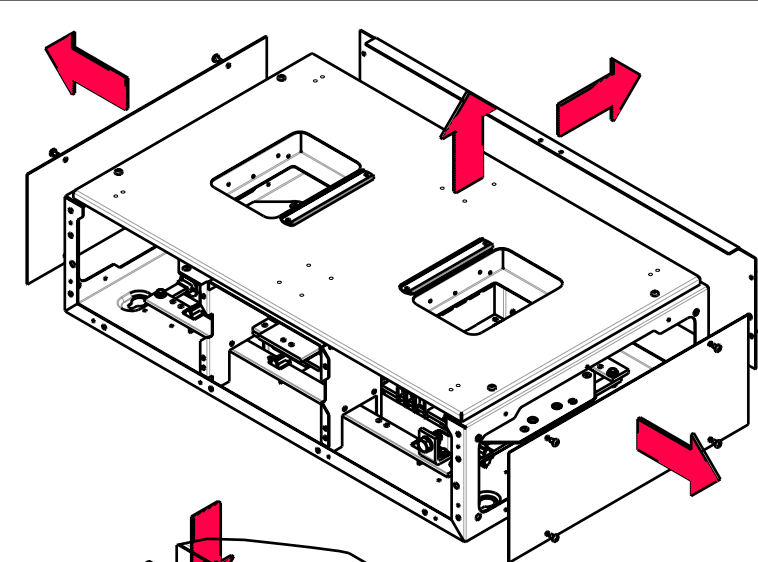
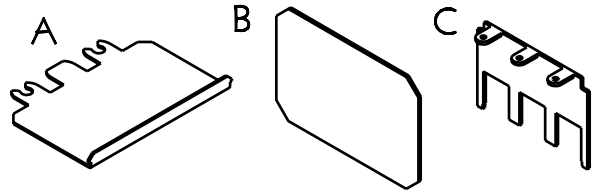
The following items are supplied with each unit :

A : 2 x Terminal Shroud Base

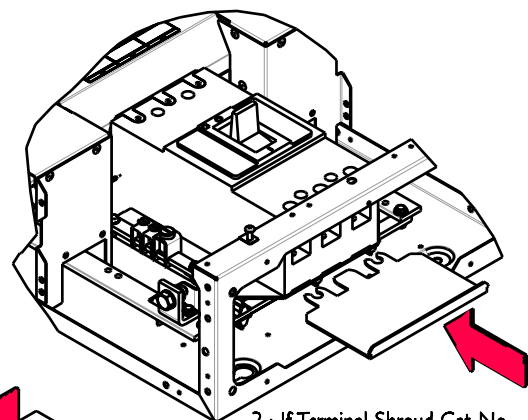
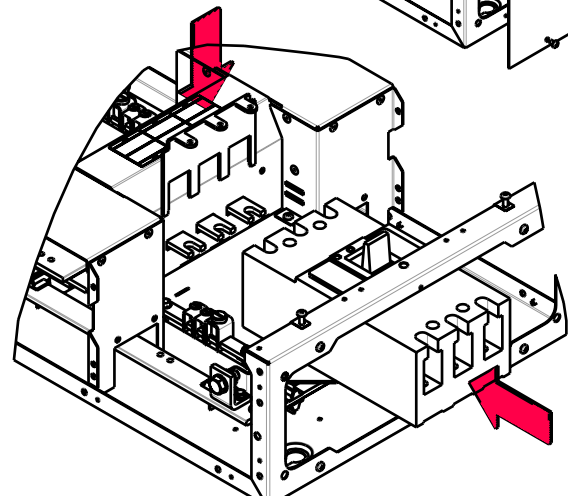
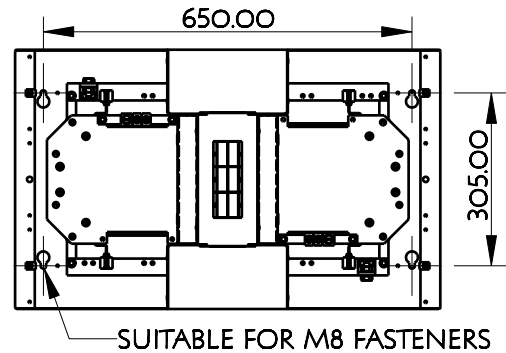
B : 1 x Front Plate Blank

C : 2 x Busbar Terminal Barrier YA5TC3P

Plus 2 x Earth Bolt kit T12O36

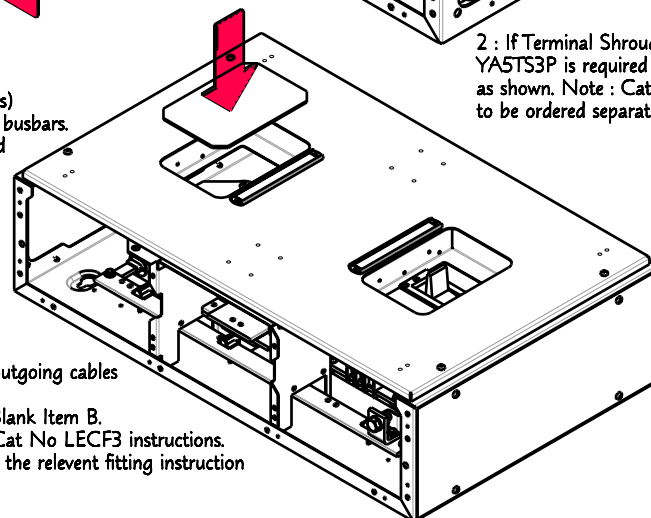


#### FIXING DETAILS



2 : If Terminal Shroud Cat No YA5TS3P is required fit Item A as shown. Note : Cat No YA5TS3P to be ordered separately

1 : Remove the busbar terminal cover & fit the YA5 MCCB(s) in position ensuring the MCCB switches ON away from the busbars. Secure to the mounting plate using the M6 fasteners supplied with the MCCB. Secure to the busbar terminals using the M8 Skt Hd screws supplied with the MCCB to a torque of 17Nm. Fit Busbar Terminal Barrier Item C.



3 : After installation of incoming & outgoing cables refit the external plates. If one way is unused fit Front Plate Blank Item B. For Cableway fitting details refer to Cat No LECF3 instructions. For "add-on" Loadbank units refer to the relevant fitting instruction

Installation and operation must be in accordance with published data, instructions and diagrams and with any relevant national and local regulations.

SN98057C