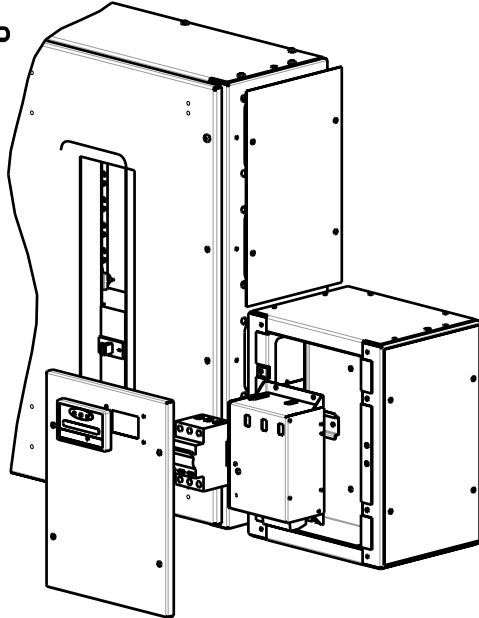


FITTING INSTRUCTIONS

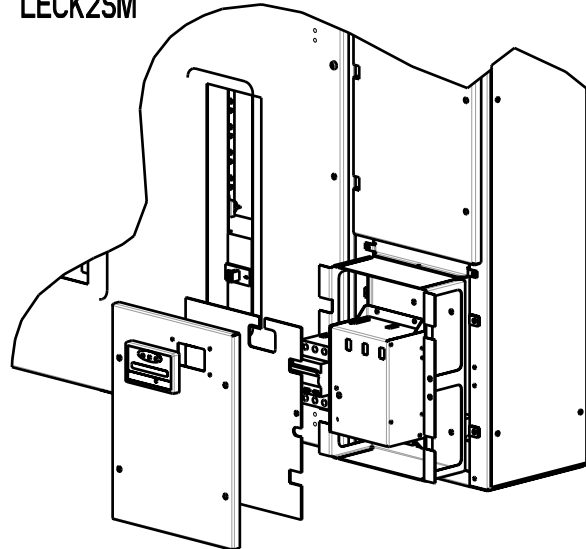
SHEET 1 OF 1

LECK2SP



- ADDITIONAL ITEMS (TO BE ORDERED)
 MCB: X3PC63 OR T3PC63 (IF REQUIRED)
 SIDE PLATE: AS REQUIRED
 2 WAY-MXPE2F
 3 WAY-MXPE3F
 4 WAY-MXPE4F
 6 WAY-MXPE6F

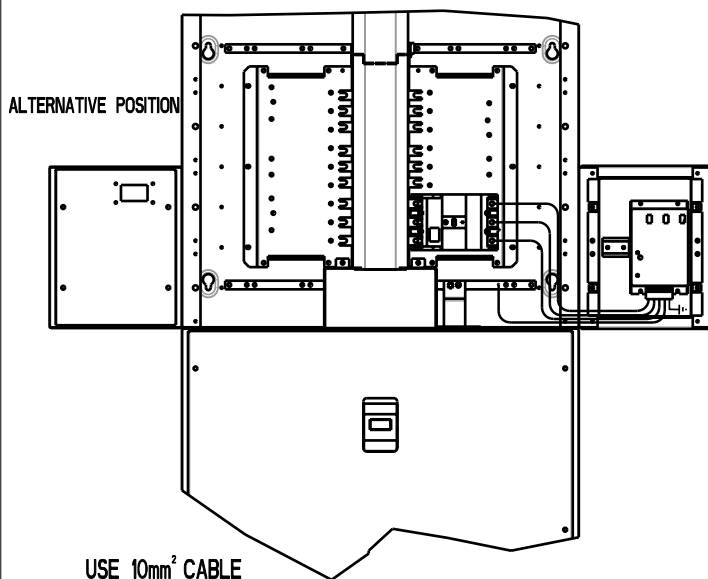
LECK2SM



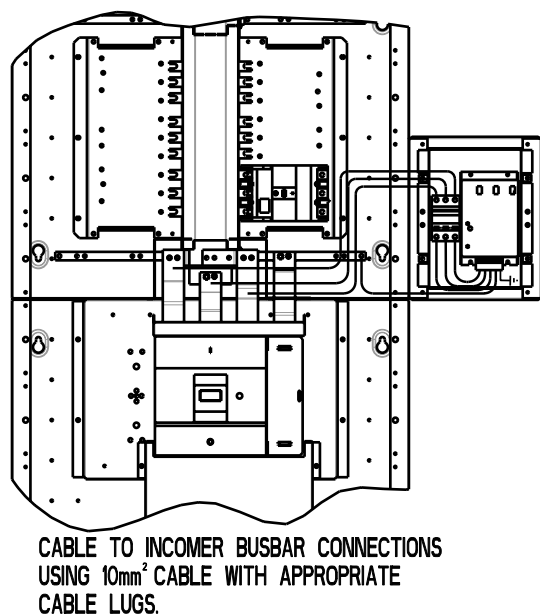
- ADDITIONAL ITEMS (TO BE ORDERED)
 MCB: X3PC63 OR T3PC63 (IF REQUIRED)
 HINGE FRONT PANEL ASSY: AS REQUIRED
 2 WAY-MXPC2HS
 3 WAY-MXPC3HS
 4 WAY-MXPC4HS
 6 WAY-MXPC6HS

WIRING CONNECTIONS

OPTION 1: THROUGH 1st OUTGOING WAY



OPTION 2: FROM PANEL BOARD THROUGH MCB



PART NO: SN98007C