

MODIFICATIONS

DRN
DATE

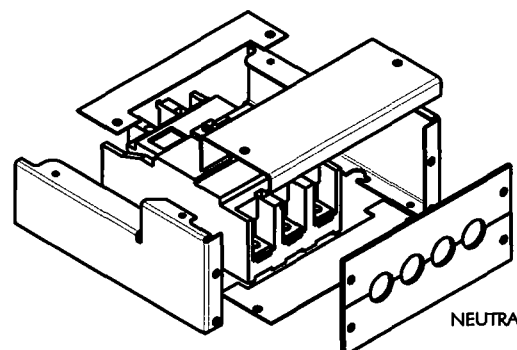
DRN
DATE

DRN
DATE

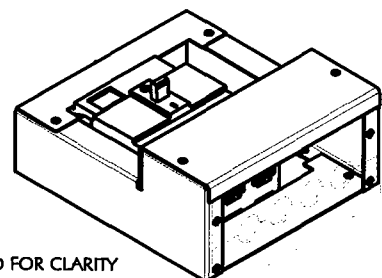
DRN
DATE

DRN
DATE

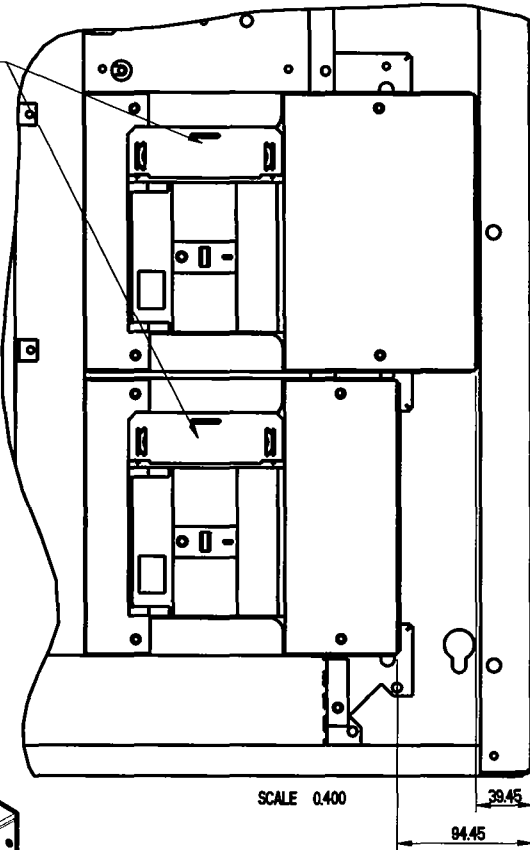
DRN
DATE



NEUTRAL LINK REMOVED FOR CLARITY



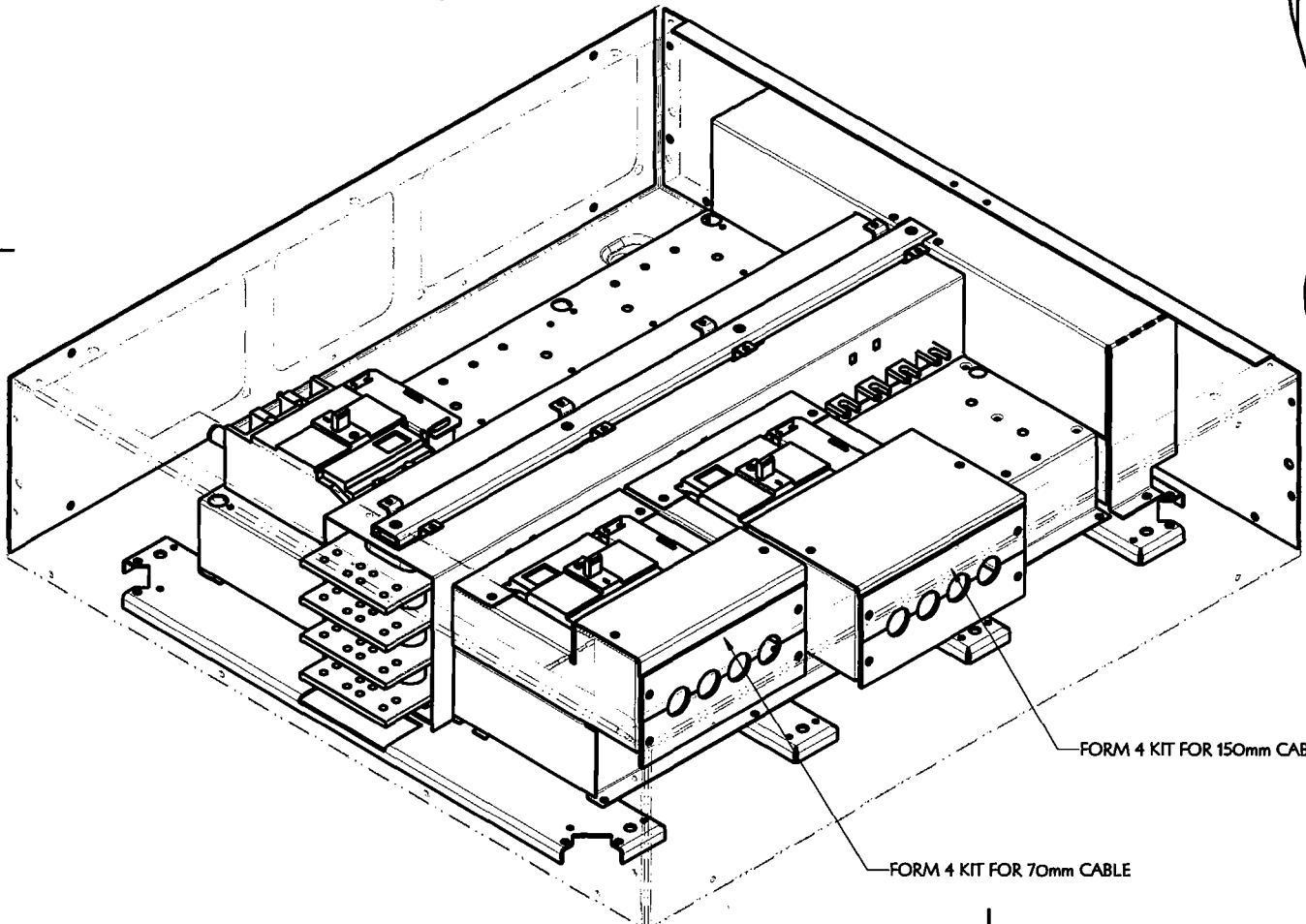
NEUTRAL LINK
AS REQUIRED



SCALE 0.400

39.45

94.45



FORM 4 KIT FOR 150mm CABLE

FORM 4 KIT FOR 70mm CABLE

UNTOLERANCED DIMENSIONS TO BE WITHIN THE FOLLOWING LIMITS		
DIMENSION		TOLERANCE
0.00-	9.99	±0.10
10.00-	99.99	±0.20
100.00-	999.99	±0.40

1ST ANGLE PROJECTION
DRAWN TO BS 308
DIMENSIONS ARE mm
DO NOT SCALE IF IN DOUBT ASK

DORMAN SMITH 2001

TITLE GENERAL ARRANGEMENT OF FORM 4 CLADDING FOR YA3 PANELBOARD

SCALE N.T.S.
DRAWN P.M. DATE 24/5/04
APPROVED DATE

DRG A2214560

PART NO.