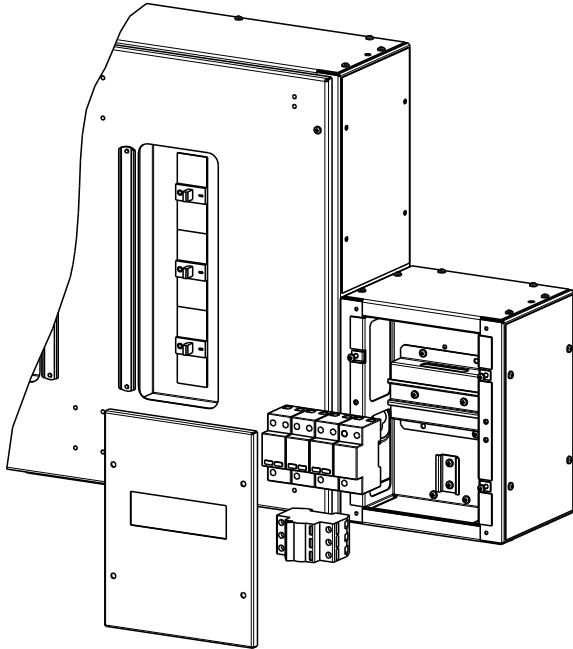


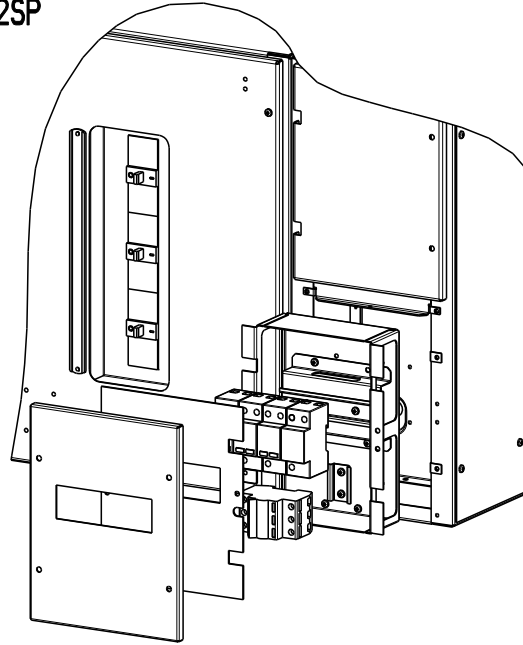
**FITTING INSTRUCTIONS**

LECM2SP



ADDITIONAL ITEMS (TO BE ORDERED)  
MCB: K3PC63 OR T3PC63 (IF REQUIRED)

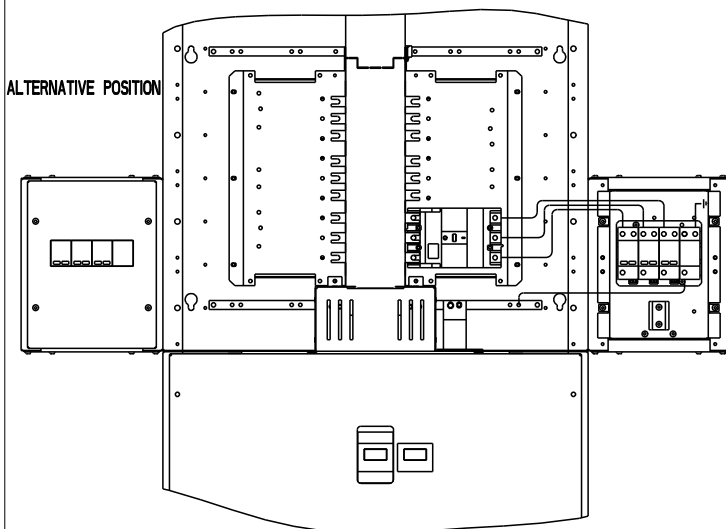
LECM2SP



ADDITIONAL ITEMS (TO BE ORDERED)  
MCB: K3PC63 OR T3PC63 (IF REQUIRED)  
HINGE FRONT PANEL ASSY: AS REQUIRED  
2 WAY-MXPC2HS  
3 WAY-MXPC3HS  
4 WAY-MXPC4HS  
6 WAY-MXPC6HS

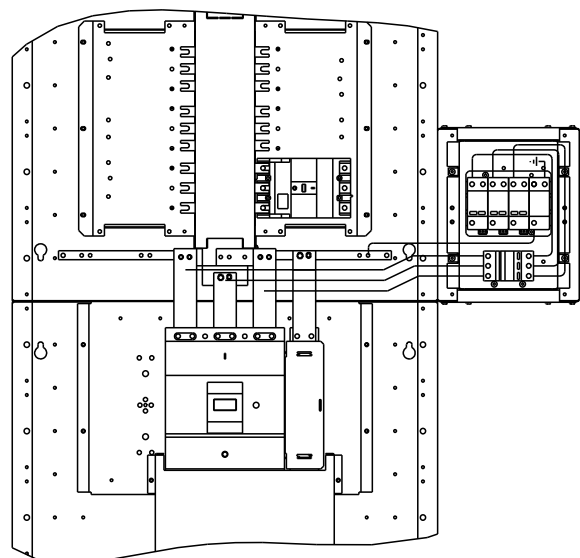
**WIRING CONNECTIONS**

OPTION 1: THROUGH 1st OUTGOING WAY



USE 35mm CABLE

OPTION 2: FROM PANEL BOARD THROUGH MCB



CABLE TO INCOMER BUSBAR CONNECTIONS  
USING 35mm CABLE WITH APPROPRIATE  
CABLE LUGS.

PART NO: SN98610C