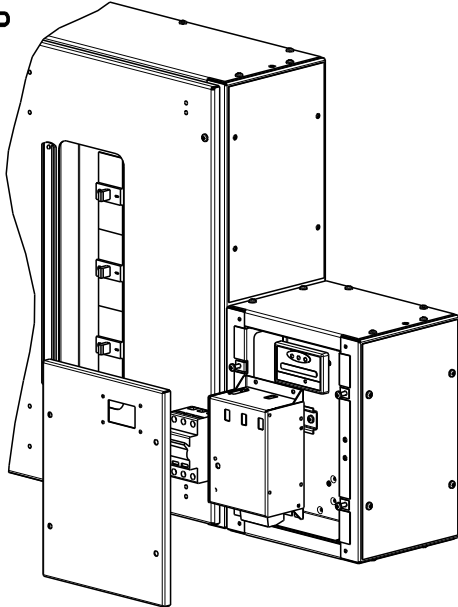
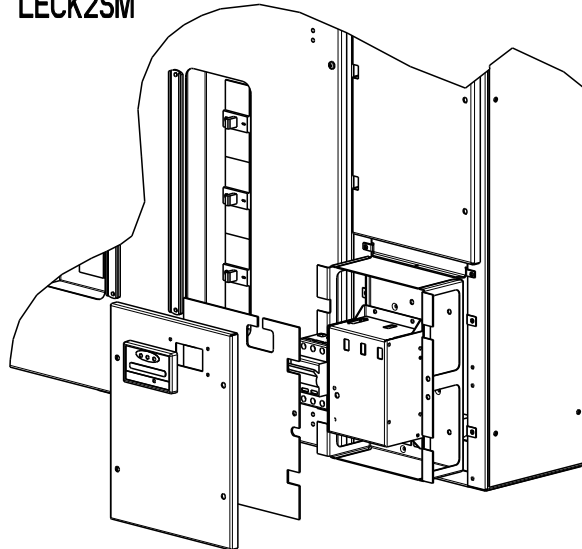


LECK2SP



ADDITIONAL ITEMS (TO BE ORDERED)
MCB: K3PC63 OR T3PC63 (IF REQUIRED)

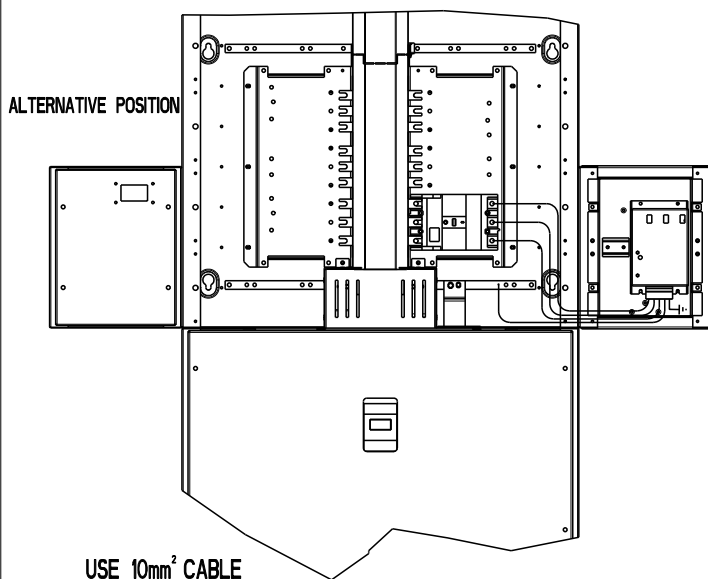
LECK2SM



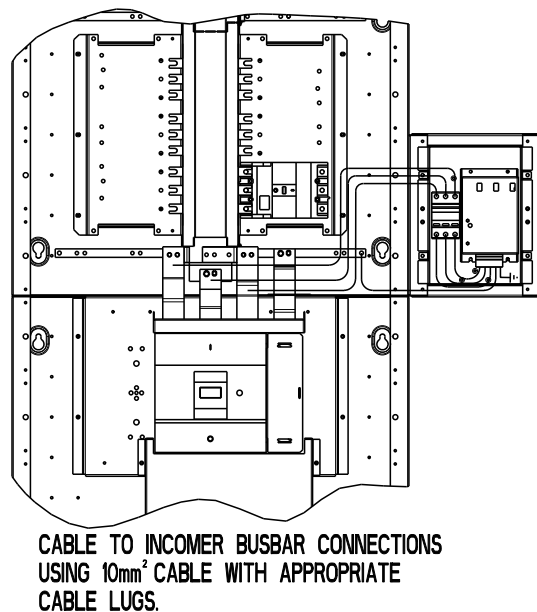
ADDITIONAL ITEMS (TO BE ORDERED)
MCB: K3PC63 OR T3PC63 (IF REQUIRED)
HINGE FRONT PANEL ASSY: AS REQUIRED
2 MOD-MXPC2HS
3 MOD-MXPC3HS
4 MOD-MXPC4HS
6 MOD-MXPC6HS

WIRING CONNECTIONS

OPTION 1: THROUGH 1st OUTGOING WAY



OPTION 2: FROM PANEL BOARD THROUGH MCB



PART NO: SN98007C